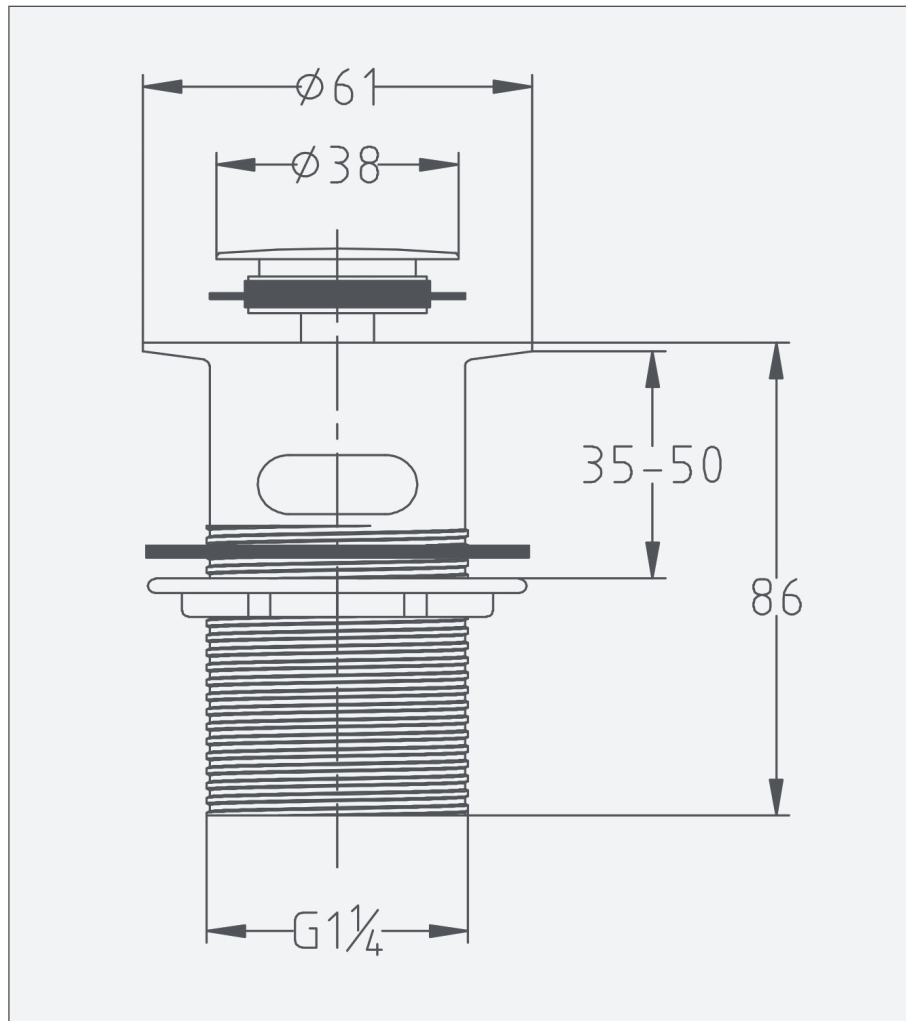


Domed Clicker Waste - Slotted



Domed Clicker Waste - Slotted

Code: CW

Features

- Brass body
- Brass locking nut
- Removable centre piece for easy cleaning



Unit 4 & 5, Kiltonga Industrial Estate,
Newtownards, Co Down,
Northern Ireland. BT23 4TJ

Sales Enquiries

Email: info@aquallabrassware.com

Tel: +44 (0) 28 9182 8000
Fax: +44 (0) 28 9181 2888

Technical and Aftersales

Email: support@aquallabrassware.com



www.aquallabrassware.com