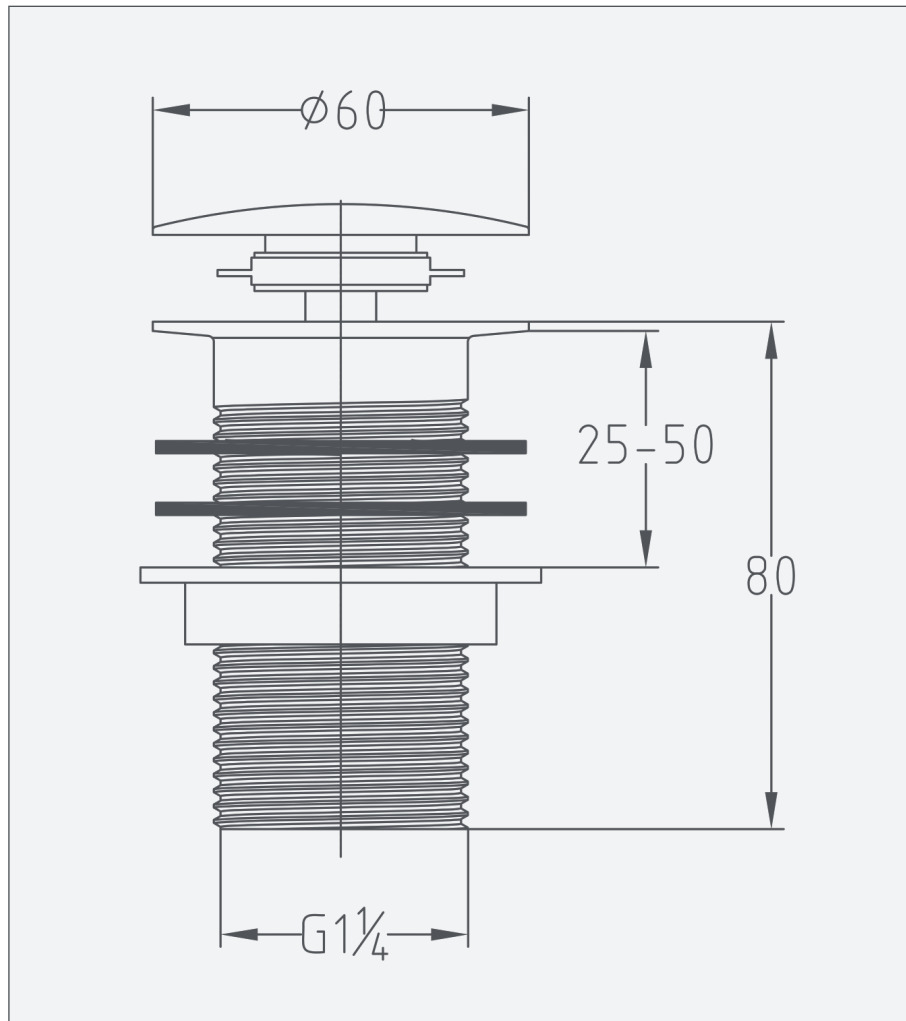


# Domed Clicker Waste - Unslotted



## Domed Clicker Waste - Unslotted

Code: CWUS

### Features

-

### Technical Details

-



Unit 4 & 5, Kiltonga Industrial Estate,  
Newtownards, Co Down,  
Northern Ireland. BT23 4TJ

### Sales Enquiries

Email: [info@aquallabrassware.com](mailto:info@aquallabrassware.com)

Tel: +44 (0) 28 9182 8000  
Fax: +44 (0) 28 9181 2888

### Technical and Aftersales

Email: [support@aquallabrassware.com](mailto:support@aquallabrassware.com)



[www.aquallabrassware.com](http://www.aquallabrassware.com)