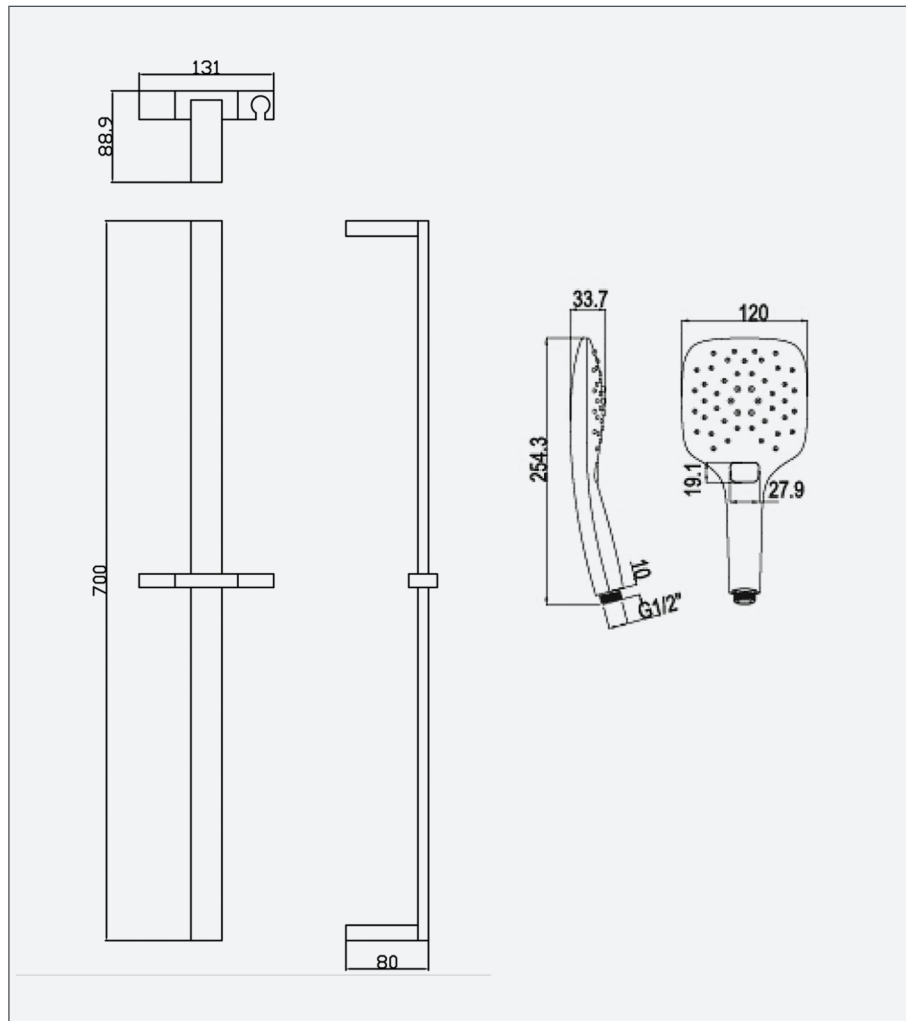


# Encore - Triple Mode Slide Rail Kit

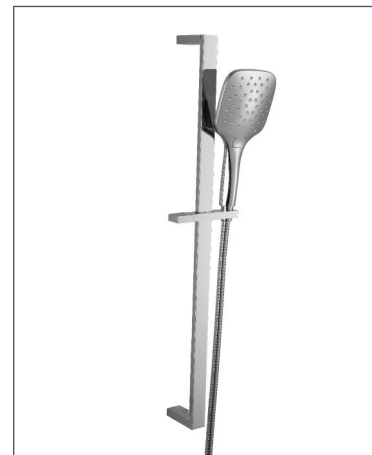


## Encore Triple Mode Slide Rail Kit

Code: E-DH

### Features

- Soft square sliding rail kit
- Triple function handset
- Slide bar and bracket both made from brass and chrome plated
- Height adjustable handset position
- Complete with shower hose and handset



Unit 4 & 5, Kiltonga Industrial Estate,  
Newtownards, Co Down,  
Northern Ireland. BT23 4TJ

### Sales Enquiries

Email: [info@aquallabrassware.com](mailto:info@aquallabrassware.com)

Tel: +44 (0) 28 9182 8000  
Fax: +44 (0) 28 9181 2888

### Technical and Aftersales

Email: [support@aquallabrassware.com](mailto:support@aquallabrassware.com)



[www.aquallabrassware.com](http://www.aquallabrassware.com)