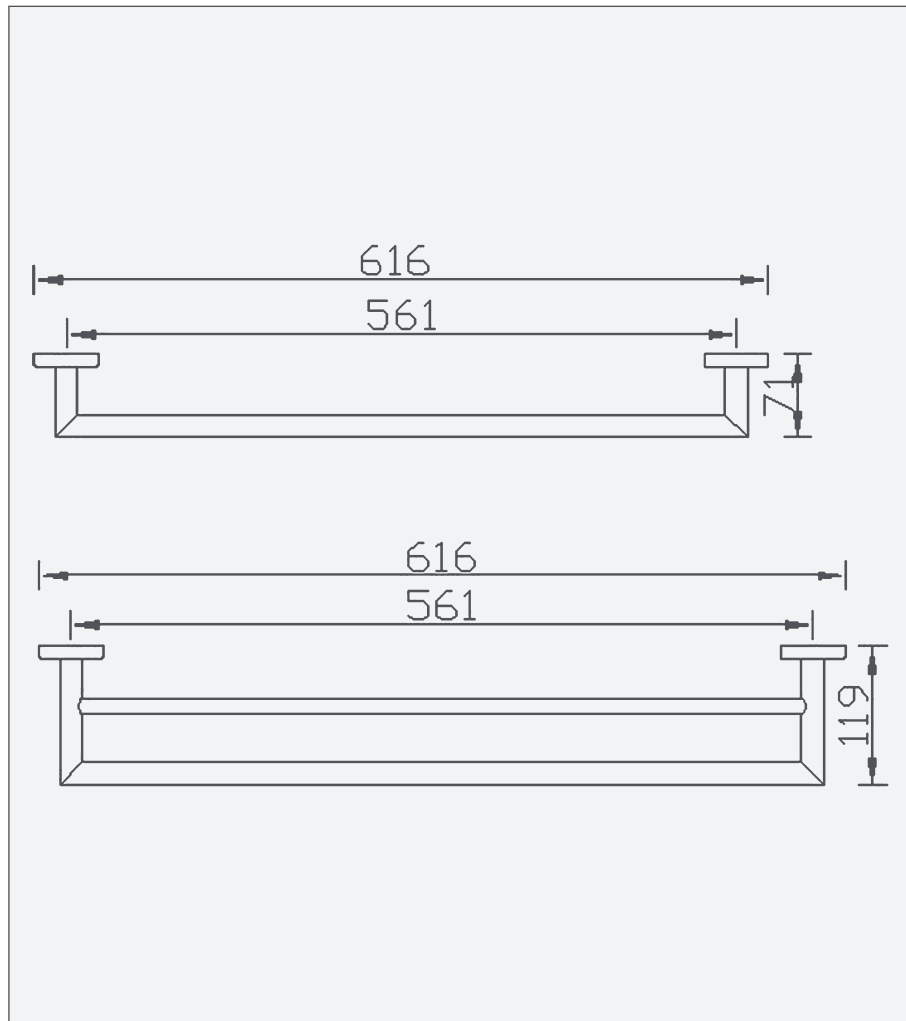


Rain - Double Towel Rail

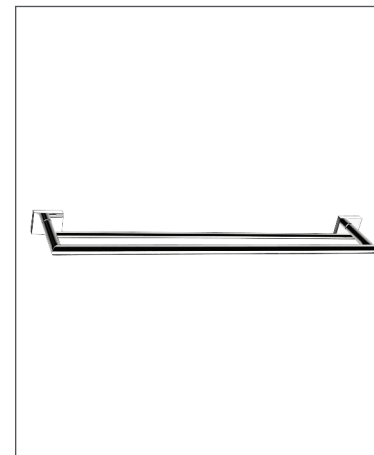


Rain - Double Towel Rail

Code: R-DTR

Features

- Chrome plated brass
- Complete with wall bracket and fixing kit



Unit 5, Kiltonga Industrial Estate,
Newtownards, Co Down,
Northern Ireland. BT23 4TJ

Sales Enquiries
Email: info@aquallabrassware.com

Tel: +44 (0) 28 9182 8000
Fax: +44 (0) 28 9181 2888

Technical and Aftersales
Email: support@aquallabrassware.com



www.aquallabrassware.com