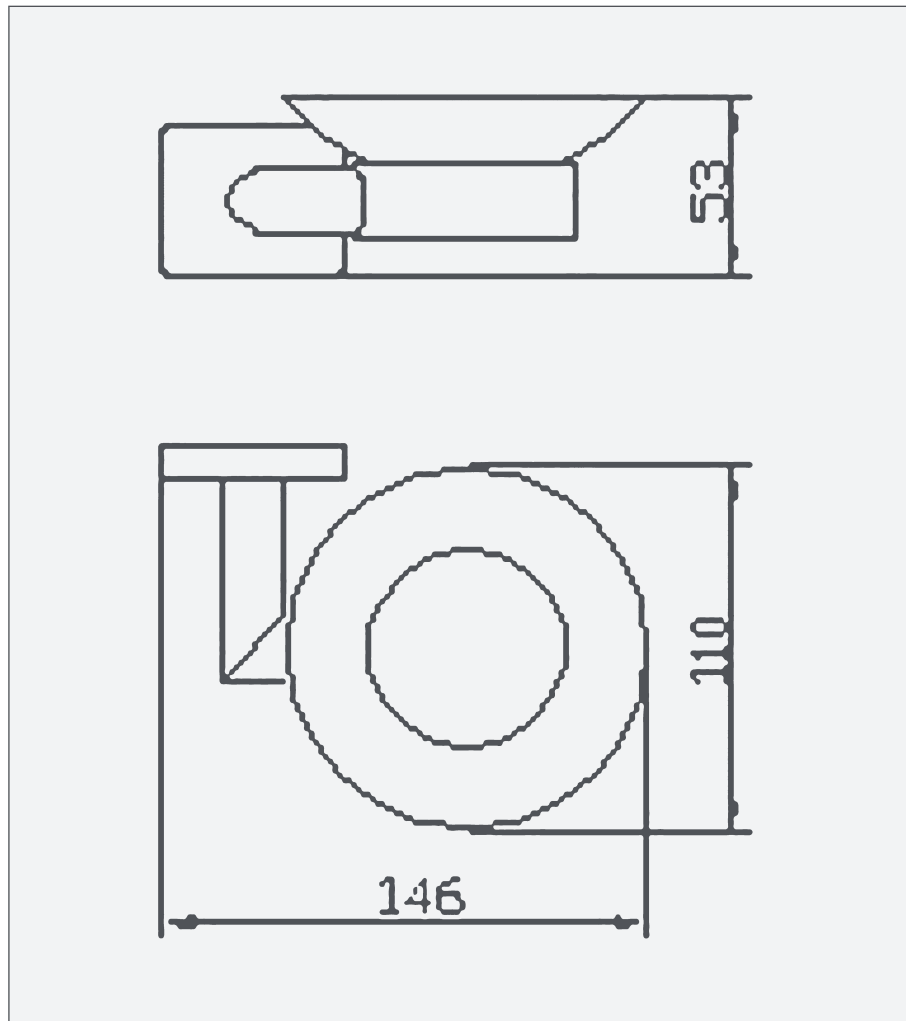


# Rain - Soap Dish



## Rain - Soap Dish

Code: R-SD

### Features

- Chrome plated brass
- Complete with wall bracket and fixing kit
- Frosted glass dish



Unit 5, Kiltonga Industrial Estate,  
Newtownards, Co Down,  
Northern Ireland. BT23 4TJ

**Sales Enquiries**  
Email: [info@aquallabrassware.com](mailto:info@aquallabrassware.com)

Tel: +44 (0) 28 9182 8000  
Fax: +44 (0) 28 9181 2888

**Technical and Aftersales**  
Email: [support@aquallabrassware.com](mailto:support@aquallabrassware.com)



[www.aquallabrassware.com](http://www.aquallabrassware.com)