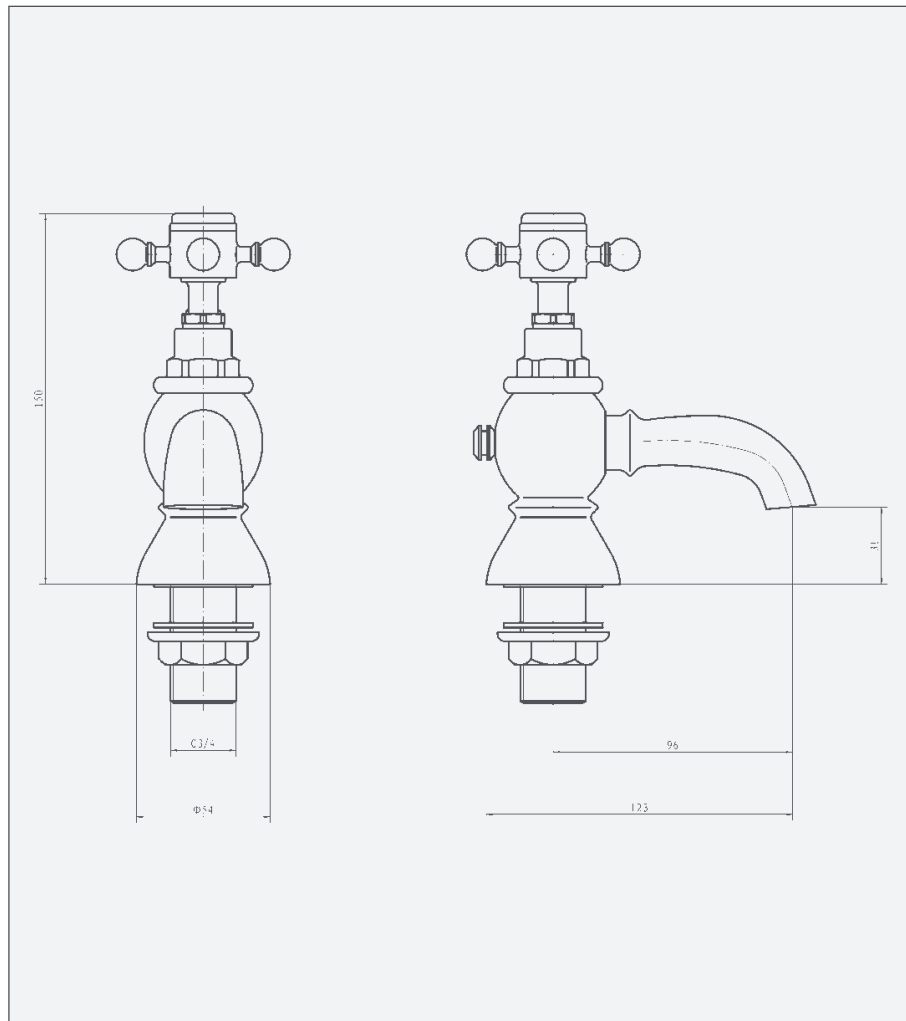


Georgia - Bath Taps



Georgia Bath Taps

Code: G-BHT

Features

- Cascade water flow
- Discreet etching for hot and cold
- 10 year warranty (2 year on cartridge)

Technical Details

- 2 tap hole bath taps - chrome
- 3/4" BSP inlets



| Operating Pressure | 0.2 bar | 0.5 bar | 1 bar | 2 bar |
|--------------------|---------|---------|-------|-------|
| Flow Rate (L/min) | 7.9 | 14.1 | 20.7 | 29.7 |

Unit 5, Kiltonga Industrial Estate,
Newtownards, Co Down,
Northern Ireland. BT23 4TJ

Sales Enquiries
Email: info@aquallabrassware.com

Tel: +44 (0) 28 9182 8000
Fax: +44 (0) 28 9181 2888

Technical and Aftersales
Email: support@aquallabrassware.com



www.aquallabrassware.com