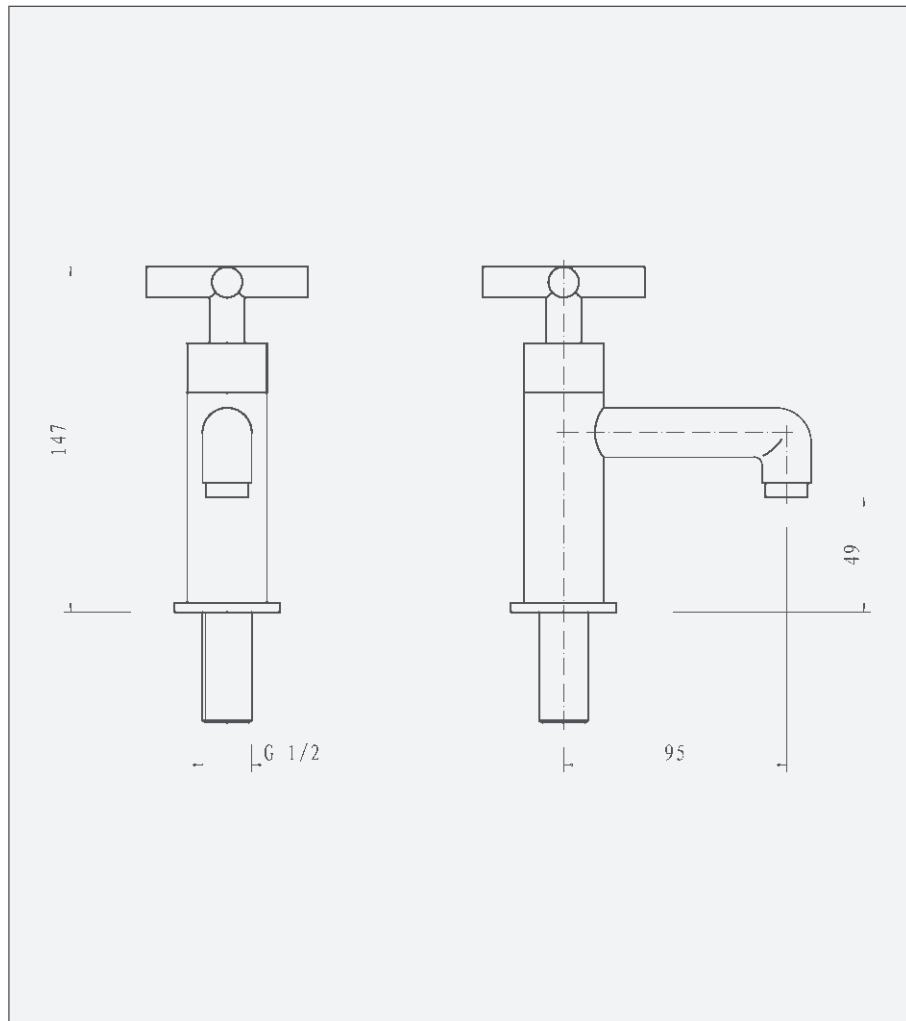


Hail - Basin Taps



Hail Basin Taps

Code: H-BT

Features

- Includes Neoperl flow straightener to ensure smooth flow
- Discreet etching for hot and cold
- Mounting base plate for premium finish 10 year warranty (2 year on cartridge)

Technical Details

- 2 tap hole basin taps - chrome
- 1/2" BSP inlets



Operating Pressure	0.2 bar	0.5 bar	1 bar	2 bar
Flow Rate (L/min)	5.2	9.6	13.9	20.6

Unit 5, Kiltonga Industrial Estate,
Newtownards, Co Down,
Northern Ireland. BT23 4TJ

Sales Enquiries
Email: info@aquallabrassware.com

Tel: +44 (0) 28 9182 8000
Fax: +44 (0) 28 9181 2888

Technical and Aftersales
Email: support@aquallabrassware.com



www.aquallabrassware.com