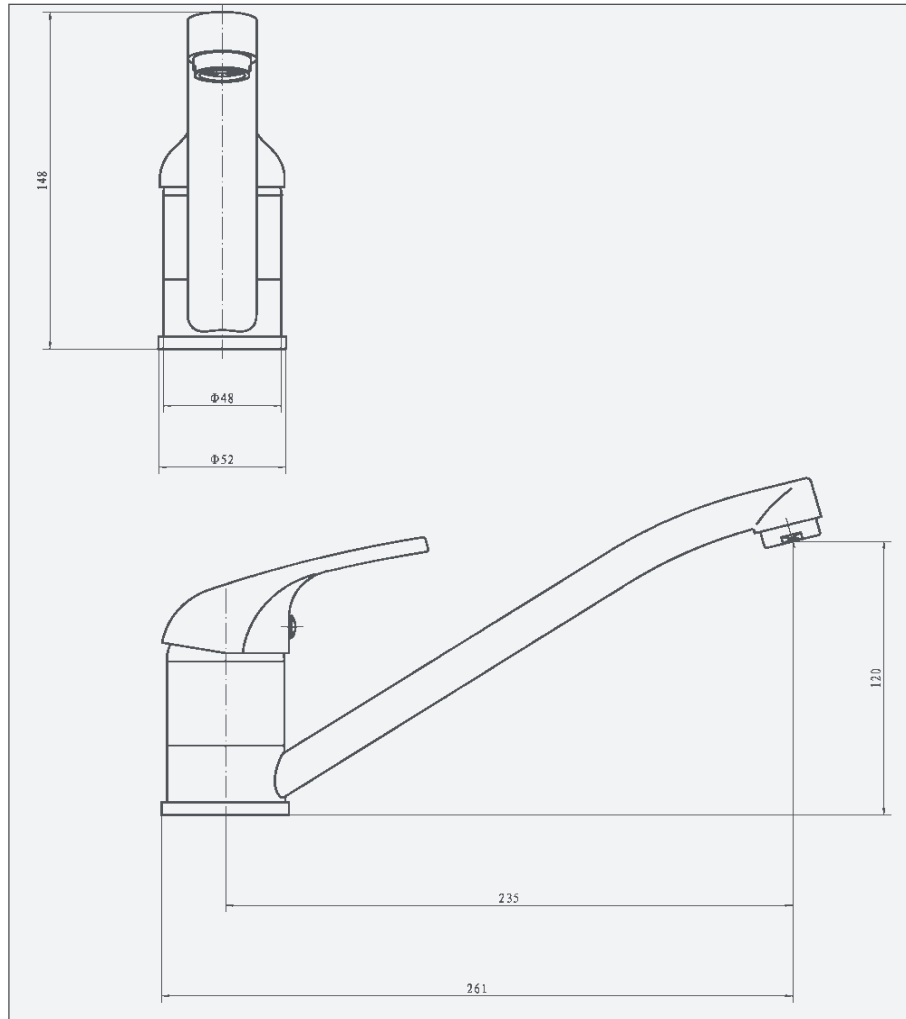


# ECO - Kitchen Mixer



## Eco Kitchen Mixer

Code: E-KM

### Features Include

- Neostrahl flow straightener
- Swivel spout
- Discreet etching for hot and cold
- 10 year warranty (2 year on cartridge)

### Technical Details

- 1 tap hole deck mounted kitchen mixer
- Wide bore flexible tails 1/2" inlets



Operating Pressure	0.2 bar	0.5 bar	1 bar	2 bar
Flow Rate (L/min)	<b>3.6</b>	<b>5.9</b>	<b>8.7</b>	<b>13.1</b>

Unit 5, Kiltonga Industrial Estate,  
Newtownards, Co Down,  
Northern Ireland. BT23 4TJ

**Sales Enquiries**  
Email: [info@aquallabrassware.com](mailto:info@aquallabrassware.com)

Tel: +44 (0) 28 9182 8000  
Fax: +44 (0) 28 9181 2888

**Technical and Aftersales**  
Email: [support@aquallabrassware.com](mailto:support@aquallabrassware.com)



[www.aquallabrassware.com](http://www.aquallabrassware.com)