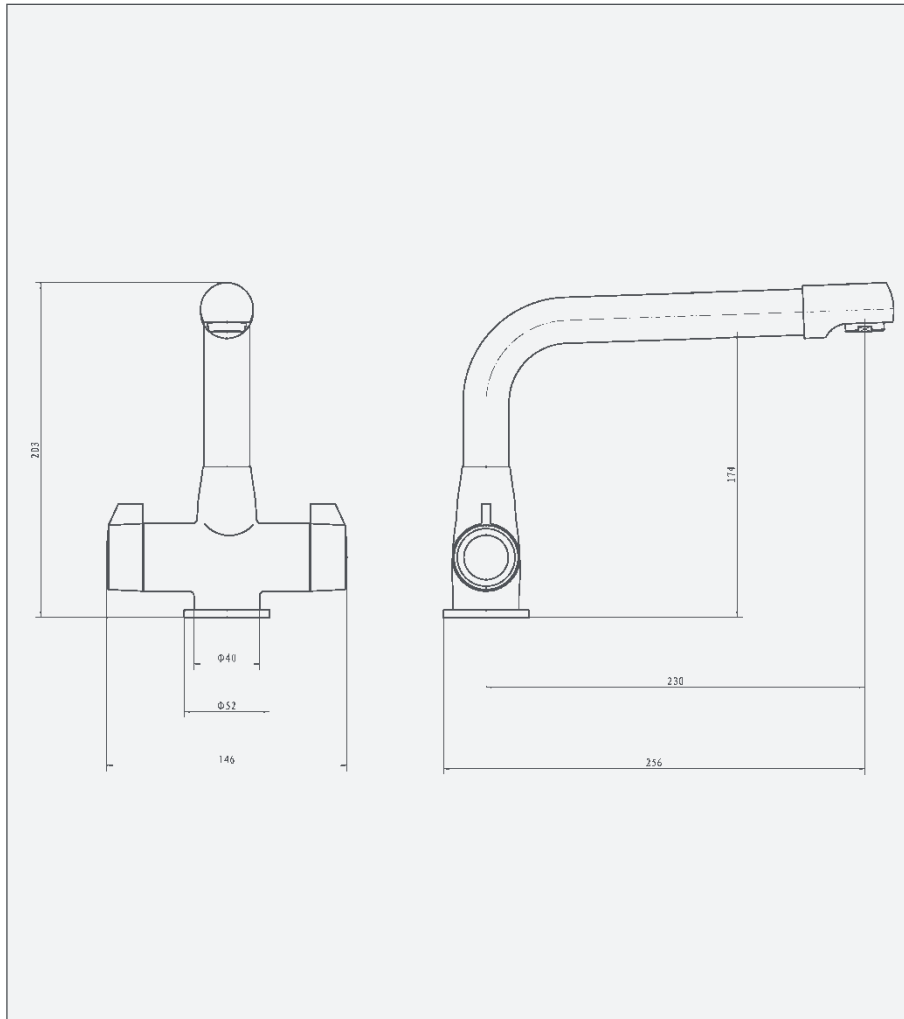


Vine - Kitchen Mixer



Vine Kitchen Mixer

Code: V-KM

Features Include

- Neostrahl flow straightener
- Swivel spout
- Discreet etching for hot and cold
- 10 year warranty (2 year on cartridge)

Technical Details

- 1 tap hole deck mounted kitchen mixer
- Wide bore flexible tails 1/2" inlets



Operating Pressure	0.2 bar	0.5 bar	1 bar	2 bar
Flow Rate (L/min)	3.1	5.1	8.0	11.7

Unit 5, Kiltonga Industrial Estate,
Newtownards, Co Down,
Northern Ireland. BT23 4TJ

Sales Enquiries
Email: info@aquallabrassware.com

Tel: +44 (0) 28 9182 8000
Fax: +44 (0) 28 9181 2888

Technical and Aftersales
Email: support@aquallabrassware.com



www.aquallabrassware.com