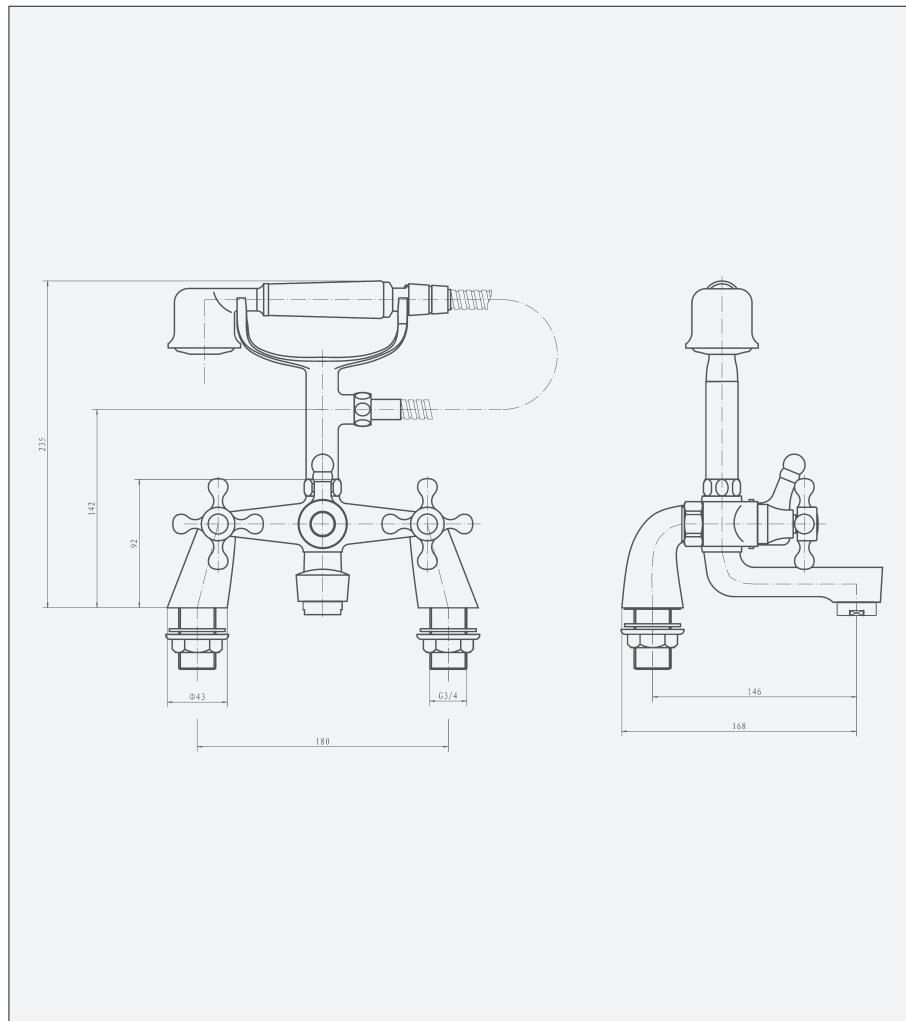


# Oxford - Bath Shower Mixer



## Oxford Bath Shower Mixer

Code: OX-BS

### Features

- Cascade water flow
- Hot and cold cover caps
- Supplied with traditional handset hose and handset cradle
- Plunger diverter
- 10 year warranty (2 year on cartridge)

### Technical Details

- 2 tap hole deck mounted bath shower mixer - chrome
- 3/4" BSP inlets



Operating Pressure	0.2 bar	0.5 bar	1 bar	2 bar
Flow Rate (L/min)	7.7	13.3	19.6	28.1

Unit 5, Kiltonga Industrial Estate,  
Newtownards, Co Down,  
Northern Ireland. BT23 4TJ

**Sales Enquiries**  
Email: [info@aquallabrassware.com](mailto:info@aquallabrassware.com)

Tel: +44 (0) 28 9182 8000  
Fax: +44 (0) 28 9181 2888

**Technical and Aftersales**  
Email: [support@aquallabrassware.com](mailto:support@aquallabrassware.com)



[www.aquallabrassware.com](http://www.aquallabrassware.com)