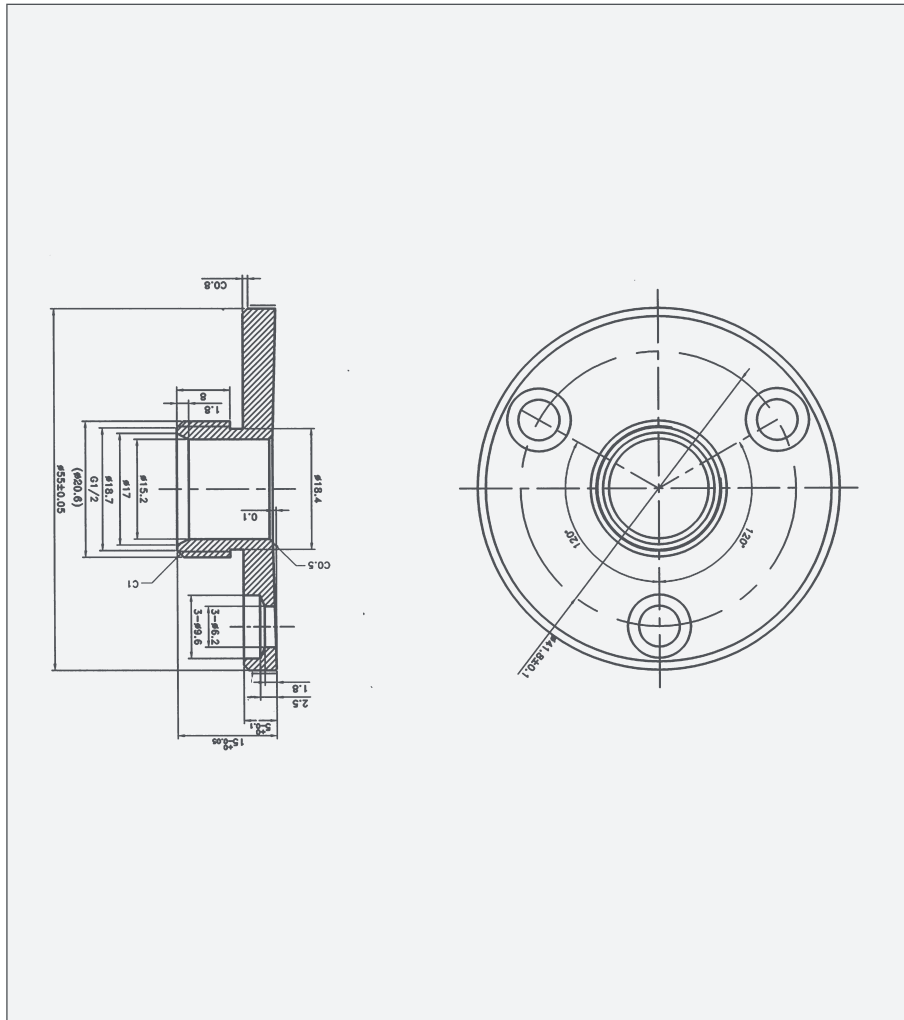


# Fastfix Brackets



## Fastfix Brackets

Code: FFB

### Features

- Fixing brackets for exposed shower valves
- Surface mounted for easy installation
- Brass/chrome plated



Unit 5, Kiltonga Industrial Estate,  
Newtownards, Co Down,  
Northern Ireland. BT23 4TJ

**Sales Enquiries**  
Email: [info@aquallabrassware.com](mailto:info@aquallabrassware.com)

Tel: +44 (0) 28 9182 8000  
Fax: +44 (0) 28 9181 2888

**Technical and Aftersales**  
Email: [support@aquallabrassware.com](mailto:support@aquallabrassware.com)



[www.aquallabrassware.com](http://www.aquallabrassware.com)