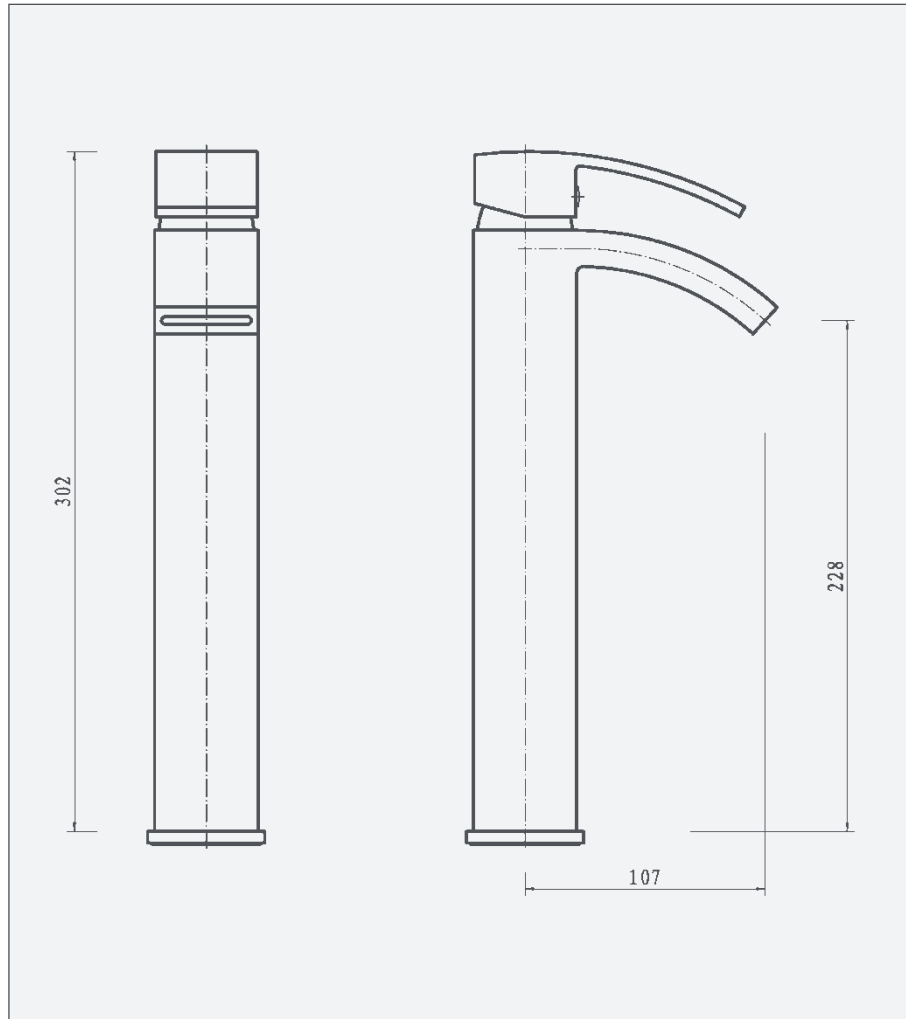


# Zen - Tall



## Zen Tall

Code: Z-TBM

### Features

- Supplied with domed clicker waste and flexible tail water inlets
- Cascade water flow
- Mounting base plate for premium finish
- 10 year warranty (2 year on cartridge)
- Discreet etching for hot and cold
- Hot and cold indicator stud supplied as standard option

### Technical Details

- 1 tap hole basin mixer - chrome
- 1/2" flexible tail connections



Operating Pressure	0.2 bar	0.5 bar	1 bar	2 bar
Flow Rate (L/min)	2.8	5.7	8.7	12.9

Unit 5, Kiltonga Industrial Estate,  
Newtownards, Co Down,  
Northern Ireland. BT23 4TJ

**Sales Enquiries**  
Email: [info@aquallabrassware.com](mailto:info@aquallabrassware.com)

Tel: +44 (0) 28 9182 8000  
Fax: +44 (0) 28 9181 2888

**Technical and Aftersales**  
Email: [support@aquallabrassware.com](mailto:support@aquallabrassware.com)



[www.aquallabrassware.com](http://www.aquallabrassware.com)