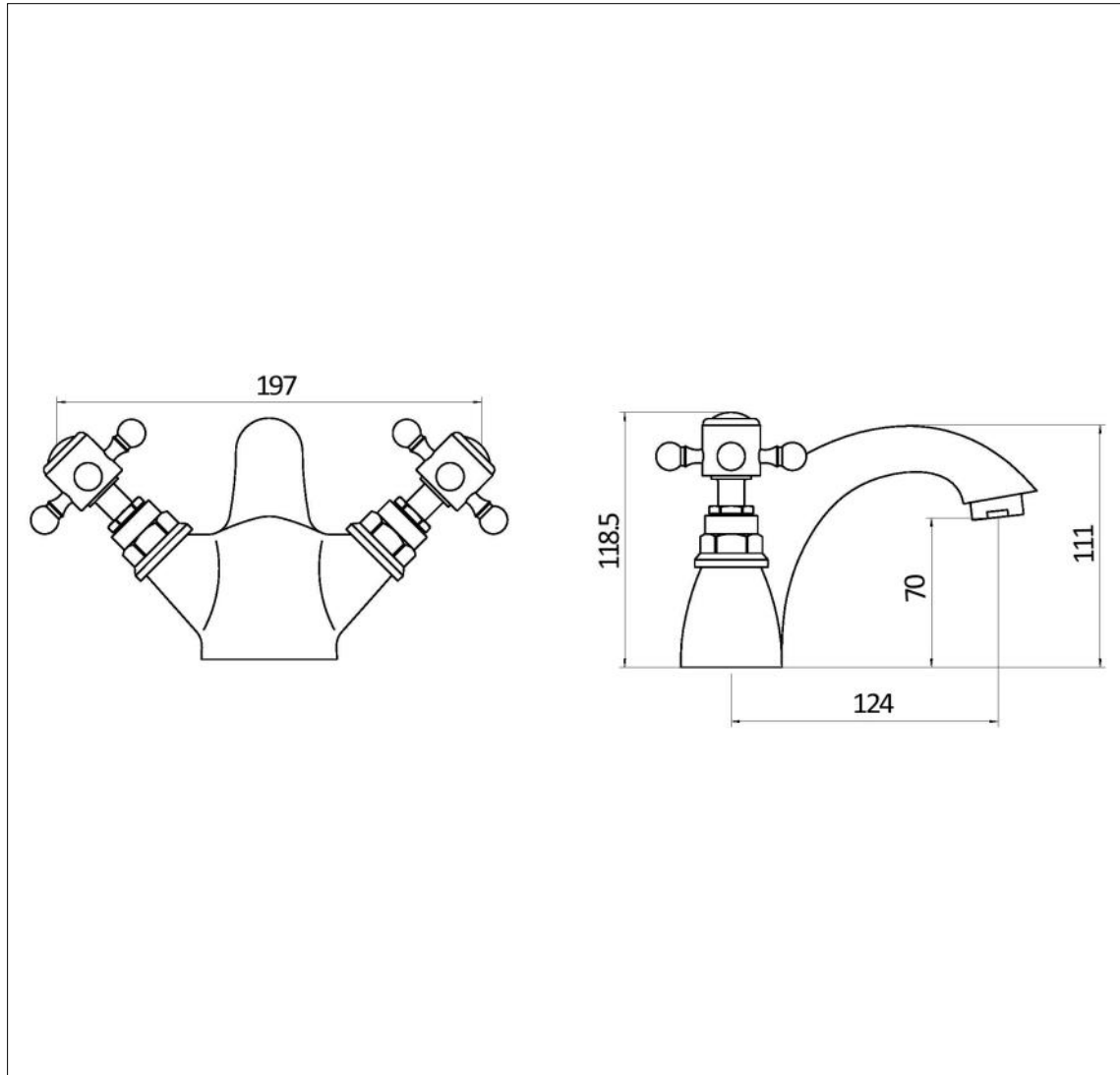


Georgia - Basin Mixer

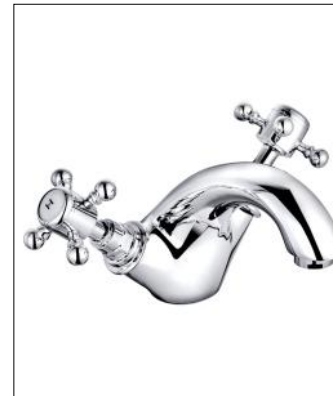


Georgia Basin Mixer

Code: G-BM

Features

- Supplied with clicker waste and 1/2" flexible tail water inlets
- Includes Neoperl aerator to ensure smooth flow
- Hot and cold indices
- 12 year warranty



Operating Pressure	0.2 bar	0.5 bar	1 bar
Flow Rate (L/min)	4.8	88	14

Units 3 & 4, 16 Crawfordsburn Road,
Newtownards, Co Down,
Northern Ireland. BT23 4EA

Sales Enquiries

Email: info@aquallabrassware.com

Tel: +44 (0) 28 9182 8000

Fax: +44 (0) 28 9181 2888

Technical and Aftersales

Email: support@aquallabrassware.com



aquallabrassware.com

© 2019 Aqualla. All rights reserved.