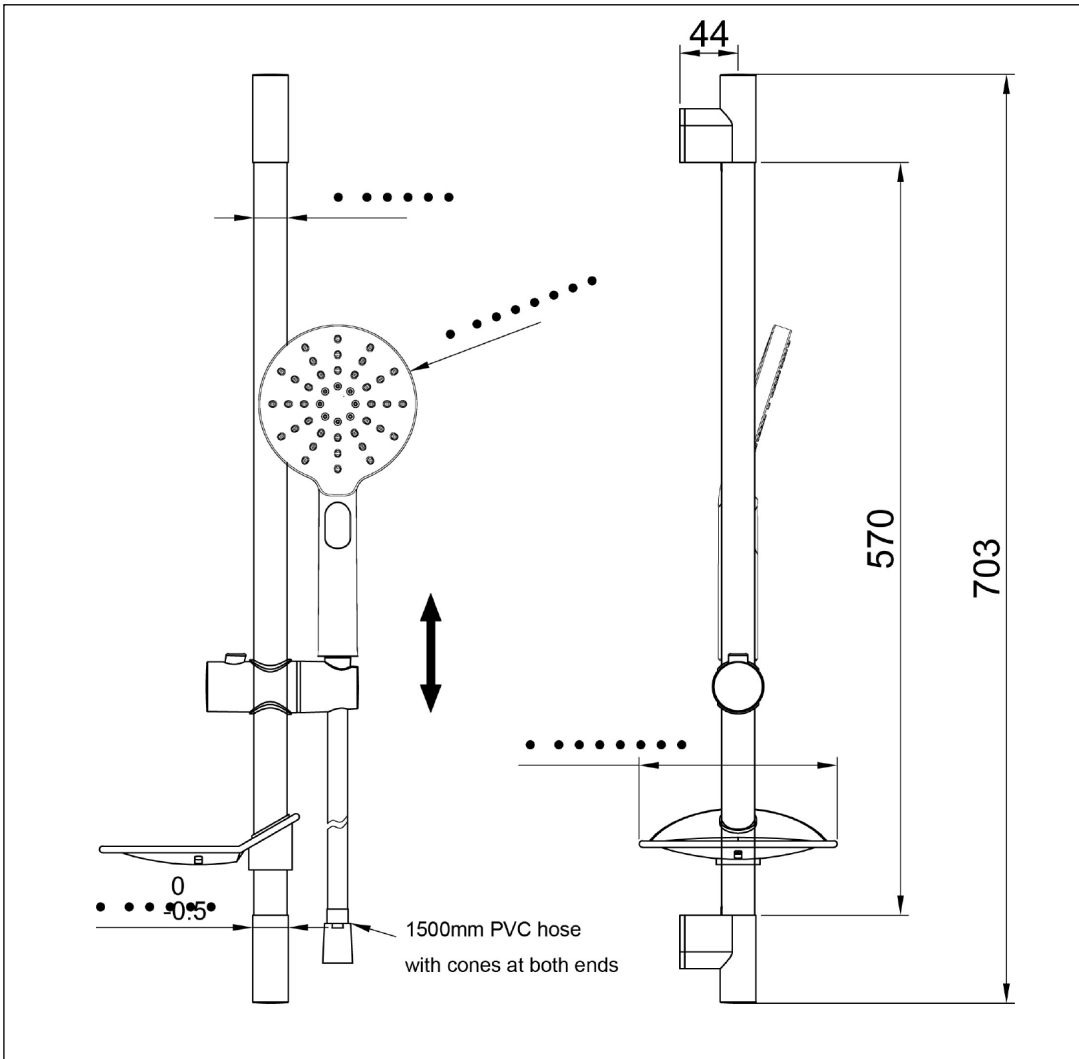


# Luca Triple Mode Slide Rail Kit



## Luca Triple Mode Slide Rail Kit

Code: LDH

### Features:

- Modern style, triple function sliding rail kit
- Height adjustable handset position
- Complete with shower hose, soap dish and handset



Units 3 & 4, 16 Crawfordsburn Road,  
Newtownards, Co Down,  
Northern Ireland. BT23 4EA

### Sales Enquiries

Email: [info@aquallabrassware.com](mailto:info@aquallabrassware.com)

### Technical and Aftersales

Email: [support@aquallabrassware.com](mailto:support@aquallabrassware.com)

Tel: +44 (0) 28 9182 8000

Fax: +44 (0) 28 9181 2888



[aquallabrassware.com](http://aquallabrassware.com)

© 2019 Aqualla. All rights reserved.