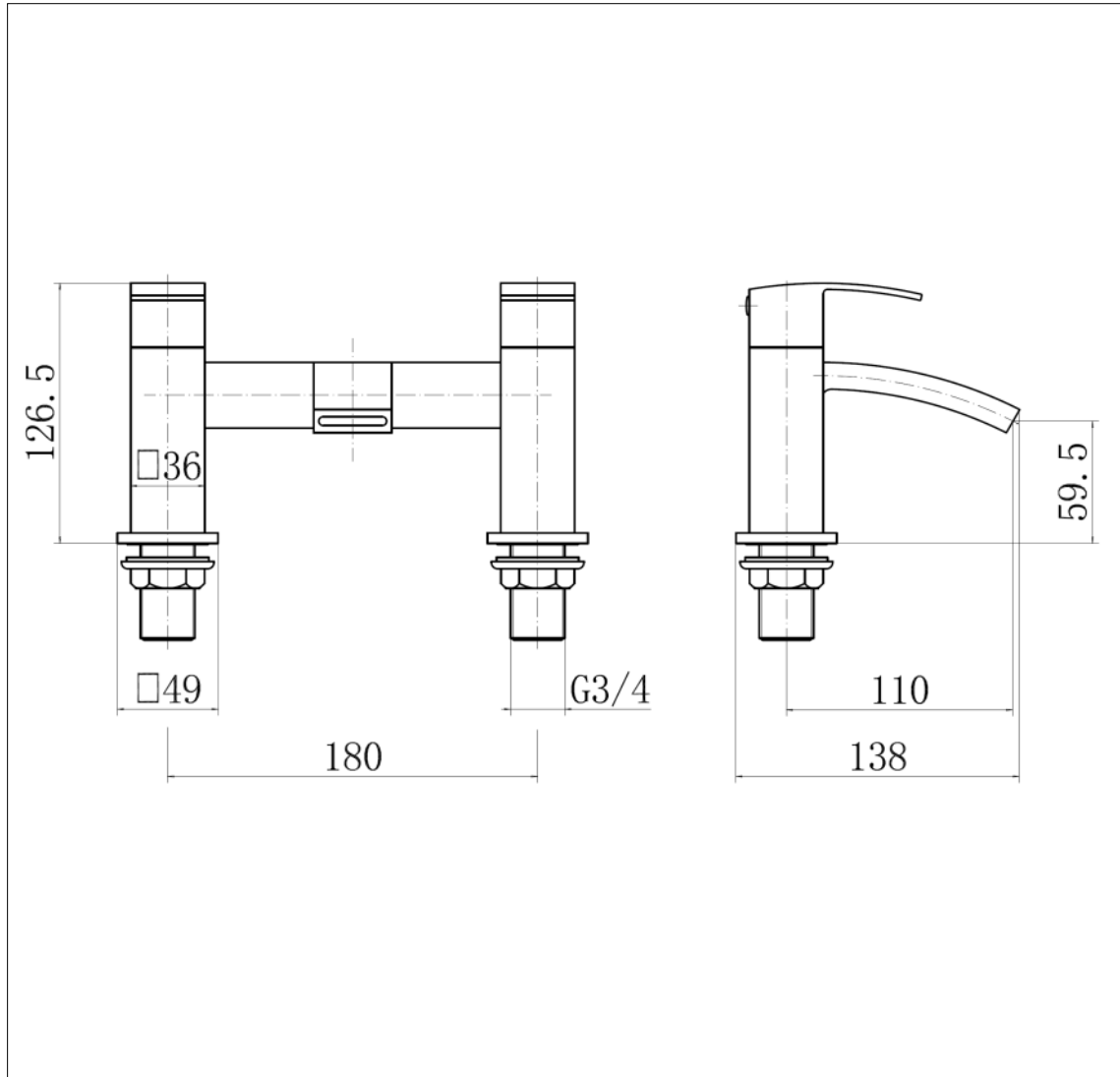


Zen - Bath Filler



Zen Bath Filler

Code: Z-BF

Features

- Cascade water flow
- Discreet etching for hot and cold
- 12 year warranty

Technical Details

- 3/4" BSP inlets



Operating Pressure	0.5 bar	1 bar
Flow Rate (L/min)	13.2	20.5

Units 3 & 4, 16 Crawfordsburn Road,
Newtownards, Co Down,
Northern Ireland. BT23 4EA

Sales Enquiries

Email: info@aquallabrassware.com

Tel: +44 (0) 28 9182 8000

Fax: +44 (0) 28 9181 2888

Technical and Aftersales

Email: support@aquallabrassware.com



aquallabrassware.com

© 2019 Aqualla. All rights reserved.