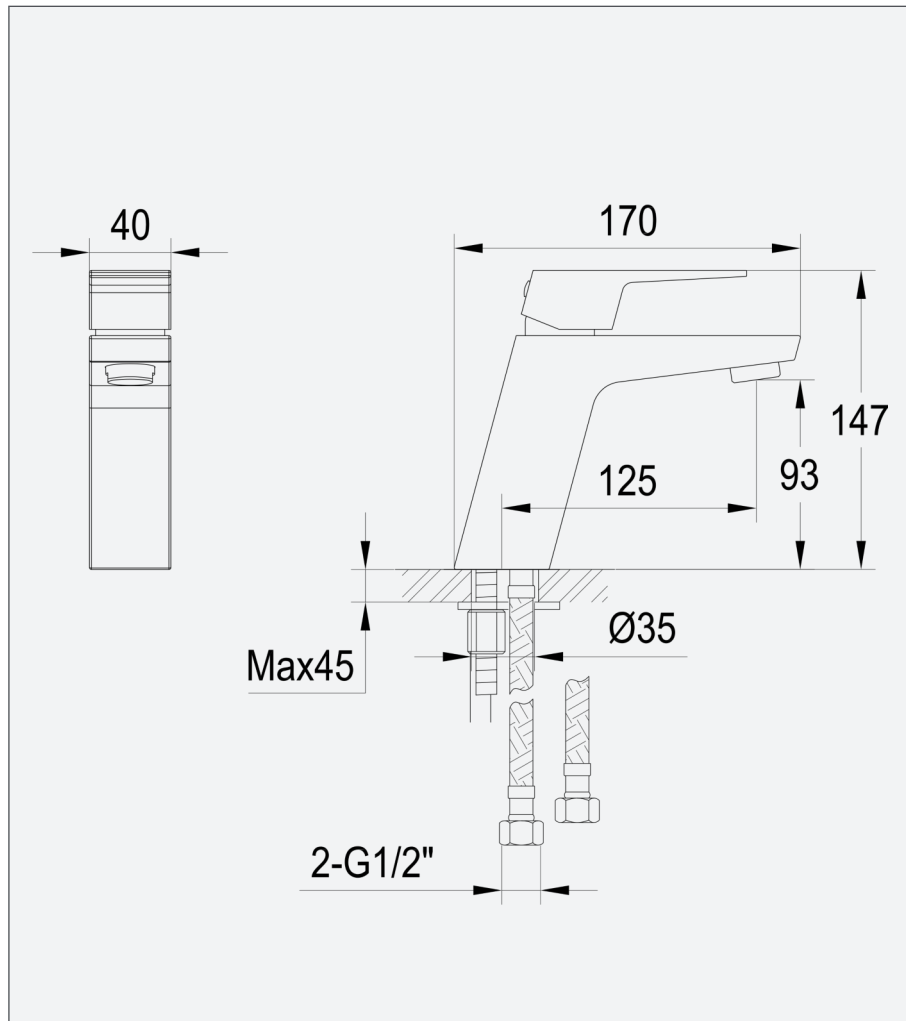


Ramore - Basin Mono



Ramore Basin Mono

Code: RAM-BM

Features

- Supplied with domed clicker waste in Oil Rubbed Bronze finish and flexible tail water inlets
- Includes Neoperl aerator to ensure smooth flow
- 10 year warranty (2 year on cartridge)
- Discreet etching for hot and cold

Technical Details

- 1 tap hole basin mixer
- Oil Rubbed Bronze
- 1/2" flexible tail connections



Operating Pressure	0.2 bar	0.5 bar	1 bar	2 bar
Flow Rate (L/min)	N/A	N/A	6.9	7.7

Unit 4 & 5, Kiltonga Industrial Estate,
Newtownards, Co Down,
Northern Ireland. BT23 4TJ

Sales Enquiries

Email: info@aquallabrassware.com

Tel: +44 (0) 28 9182 8000
Fax: +44 (0) 28 9181 2888

Technical and Aftersales

Email: support@aquallabrassware.com



www.aquallabrassware.com