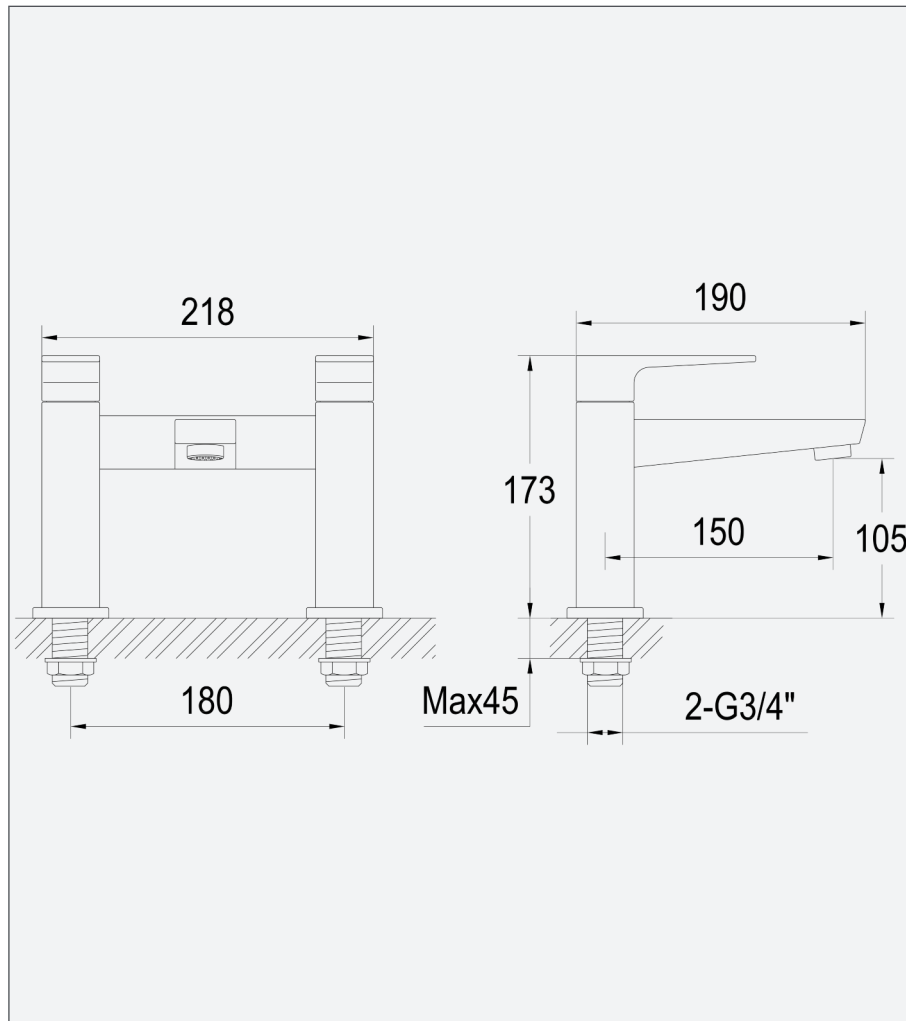


Ramore - Bath Filler



Ramore Bath Filler

Code: RAM-BF

Features

- Includes Neoperl aerator to ensure smooth flow
- Discreet etching for hot and cold
- 10 year warranty (2 year on cartridge)

Technical Details

- 2 tap hole deck mounted bath filler
- Oil rubbed bronze
- 3/4" BSP connections



Operating Pressure	0.2 bar	0.5 bar	1 bar	2 bar
Flow Rate (L/min)	N/A	N/A	9.2	11.6

Unit 4 & 5, Kiltonga Industrial Estate,
Newtownards, Co Down,
Northern Ireland. BT23 4TJ

Sales Enquiries
Email: info@aquallabrassware.com

Tel: +44 (0) 28 9182 8000
Fax: +44 (0) 28 9181 2888

Technical and Aftersales
Email: support@aquallabrassware.com



www.aquallabrassware.com