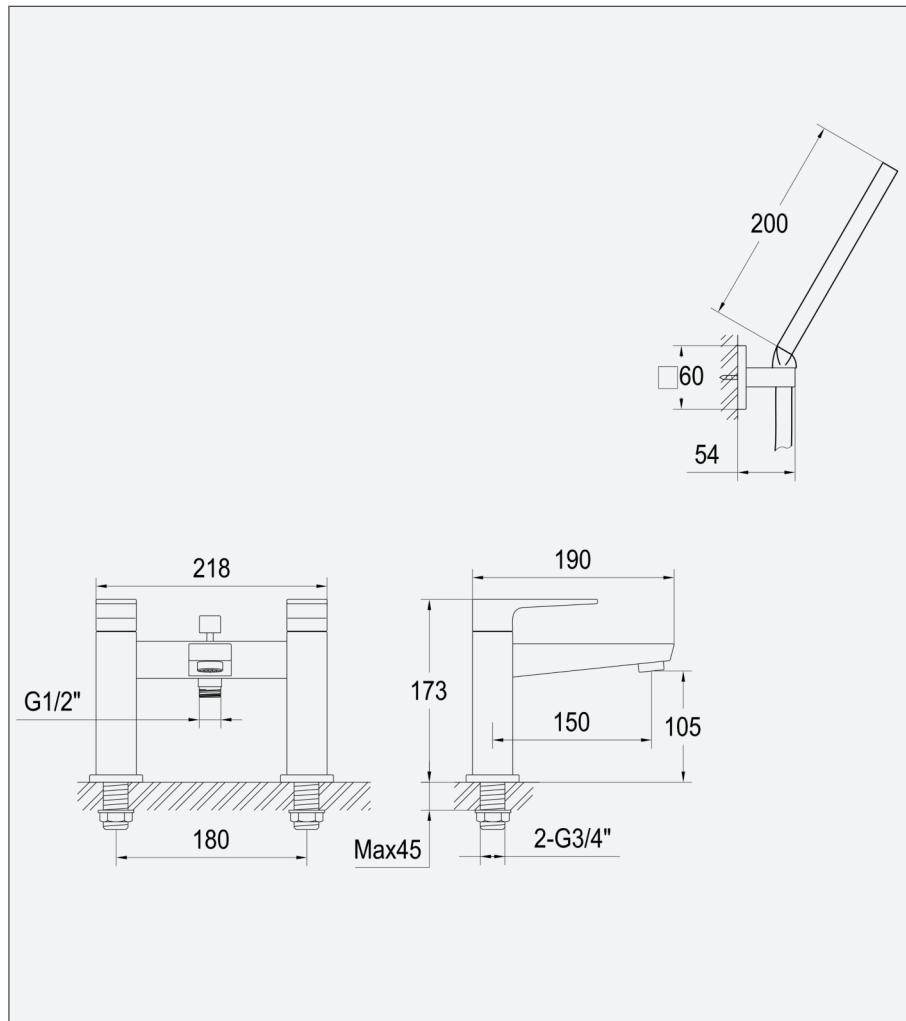


Ramore - Bath Shower Mixer



Ramore Bath Shower Mixer

Code: RAM-BS

Features

- Includes Neoperl aerator to ensure smooth flow
- Supplied with designer brass pencil handset, hose and wall bracket
- Discreet etching for hot and cold
- 10 year warranty (2 year on cartridge)

Technical Details

- 2 tap hole deck mounted bath filler
- Oil rubbed bronze
- 3/4" BSP connections



Operating Pressure	0.2 bar	0.5 bar	1 bar	2 bar
Flow Rate (L/min)	N/A	N/A	7.2	9.0

Unit 4 & 5, Kiltonga Industrial Estate,
Newtownards, Co Down,
Northern Ireland. BT23 4TJ

Sales Enquiries

Email: info@aquallabrassware.com

Tel: +44 (0) 28 9182 8000
Fax: +44 (0) 28 9181 2888

Technical and Aftersales

Email: support@aquallabrassware.com



www.aquallabrassware.com