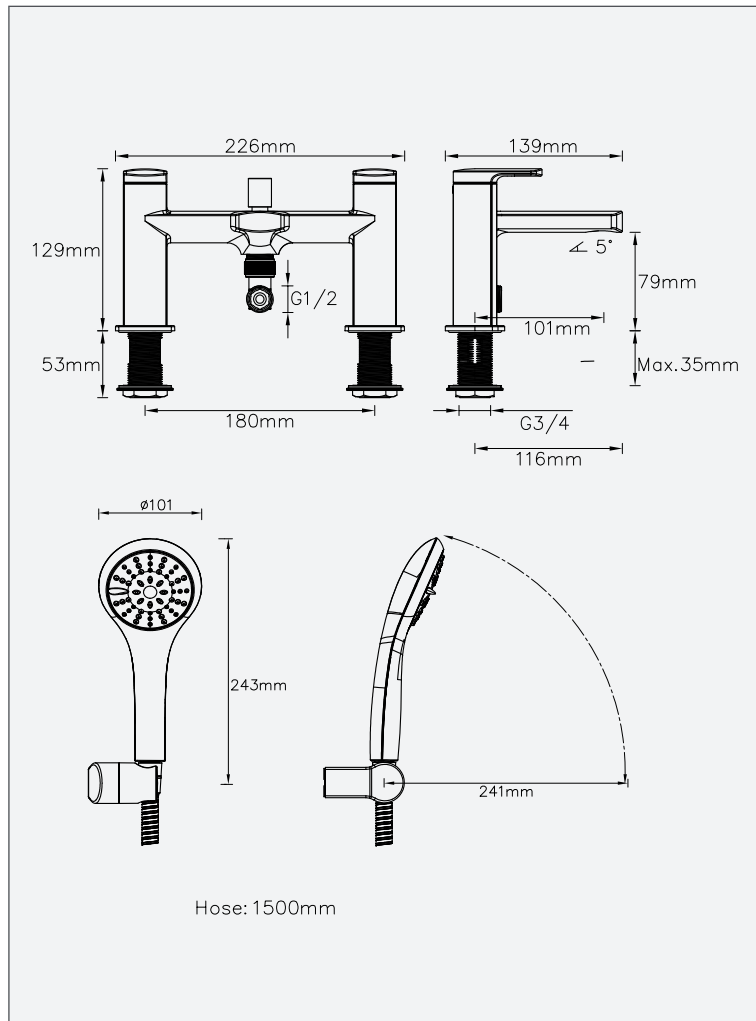


Fuse - Bath Shower Mixer



Fuse - Bath Shower Mixer

Code: F-BS

Features

- Design lead recessed aerator
- Includes Neoperl aerator to ensure smooth flow
- 10 year warranty (2 year on cartridge)

Technical Details

- 10 year guarantee covering manufacturing faults



Operating Pressure	0.2 bar	0.5 bar	1 bar	2 bar
Flow Rate (L/min)	12.0	24.0	32.0	44.0

Units 3 & 4, 16 Crawfordsburn Road,
Newtownards, Co Down,
Northern Ireland. BT23 4EA

Sales Enquiries

Email: info@aquallabrassware.com

Tel: +44 (0) 28 9182 8000
Fax: +44 (0) 28 9181 2888

Technical and Aftersales

Email: support@aquallabrassware.com



www.aquallabrassware.com