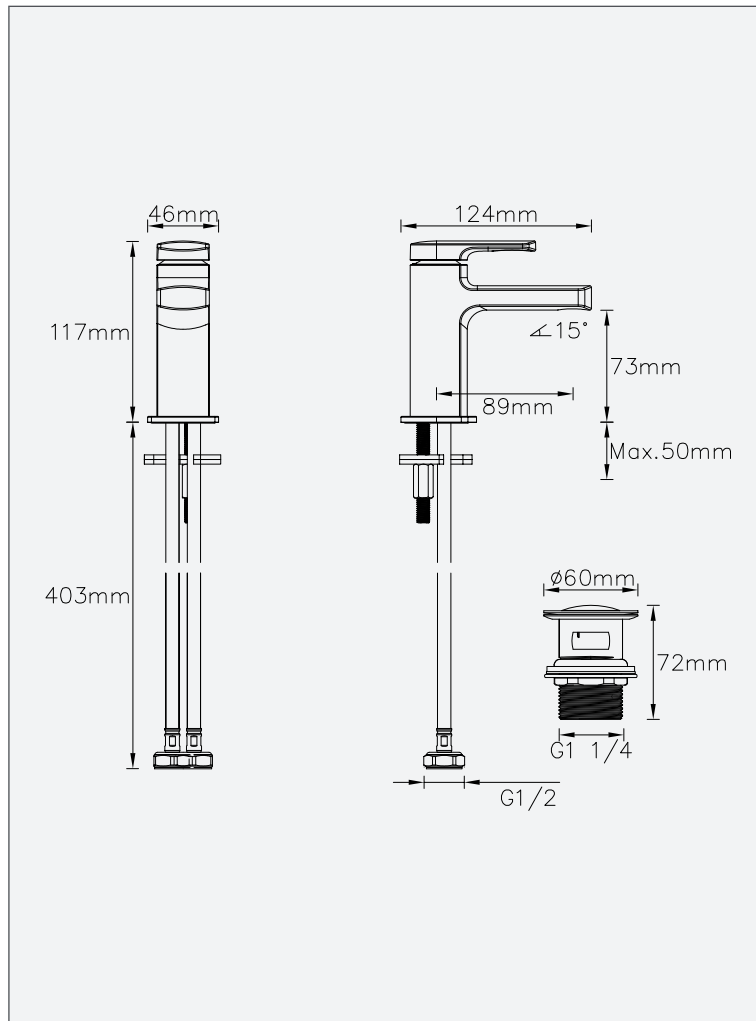


# Fuse - Mini Basin Mono



## Fuse - Mini Basin Mono

Code: F-MBM

### Features

- Design lead recessed aerator
- Includes Neoperl aerator to ensure smooth flow
- 10 year warranty (2 year on cartridge)

### Technical Details

- 10 year guarantee covering manufacturing faults



Operating Pressure	0.2 bar	0.5 bar	1 bar	2 bar
Flow Rate (L/min)	2.8	4.3	5.5	8.5

Units 3 & 4, 16 Crawfordsburn Road,  
Newtownards, Co Down,  
Northern Ireland. BT23 4EA

### Sales Enquiries

Email: [info@aquallabrassware.com](mailto:info@aquallabrassware.com)

Tel: +44 (0) 28 9182 8000  
Fax: +44 (0) 28 9181 2888

### Technical and Aftersales

Email: [support@aquallabrassware.com](mailto:support@aquallabrassware.com)



[www.aquallabrassware.com](http://www.aquallabrassware.com)