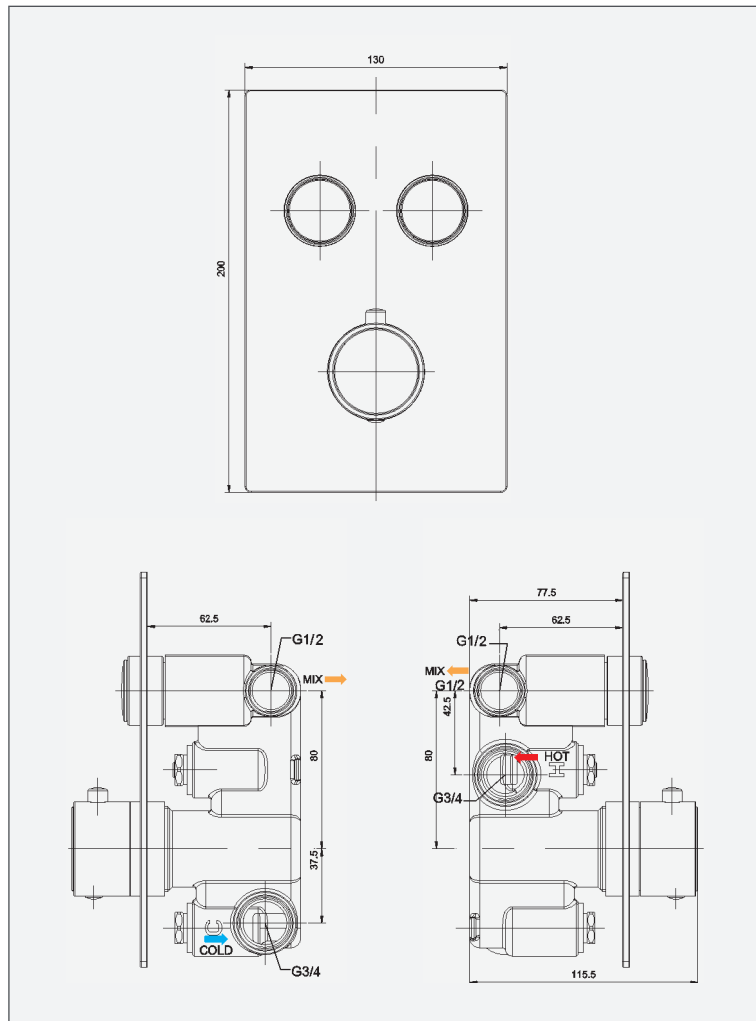


Fuse - Dual Function Push Button Valve



Fuse - Dual Function Push Button Valve

Code: F-PBV

Features

- Push button control with dual function capability
- 4mm Brass plate
- Knurled handle for luxury feel
- 10 year warranty



Operating Pressure	1 bar	2 bar	3 bar	5 bar
Flow Rate (L/min)	11.1	16.0	19.5	25.5

Units 3 & 4, 16 Crawfordsburn Road,
Newtownards, Co Down,
Northern Ireland. BT23 4EA

Sales Enquiries

Email: info@aquallabrassware.com

Tel: +44 (0) 28 9182 8000
Fax: +44 (0) 28 9181 2888

Technical and Aftersales

Email: support@aquallabrassware.com



www.aquallabrassware.com