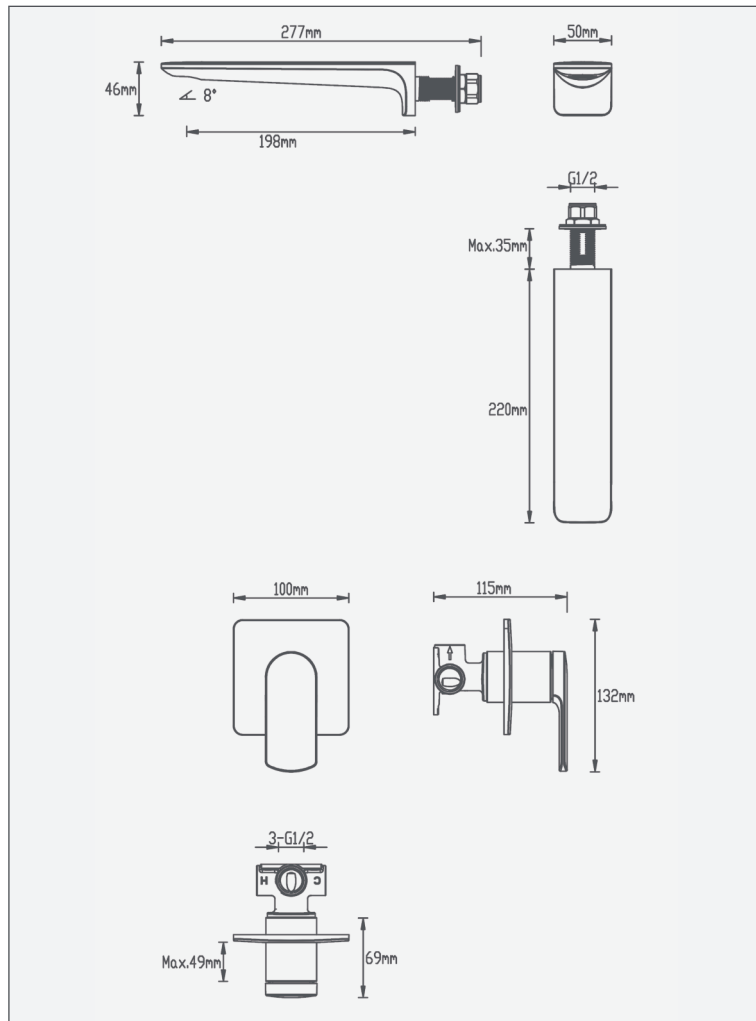


Fuse - Wall Mounted Bath Filler



Fuse - Wall Mounted Bath Filler

Code: F-WBF

Features

- Design led recessed Neoperl aerator

Technical Details

- 12 year warranty



| Operating Pressure | 0.5 bar | 1 bar | 2 bar | 3 bar |
|--------------------|---------|-------|-------|-------|
| Flow Rate (L/min) | N/A | 10.6 | 14.8 | 18.2 |

Units 3 & 4, 16 Crawfordsburn Road,
Newtownards, Co Down,
Northern Ireland. BT23 4EA

Sales Enquiries

Email: info@aquallabrassware.com

Tel: +44 (0) 28 9182 8000
Fax: +44 (0) 28 9181 2888

Technical and Aftersales

Email: support@aquallabrassware.com



www.aquallabrassware.com