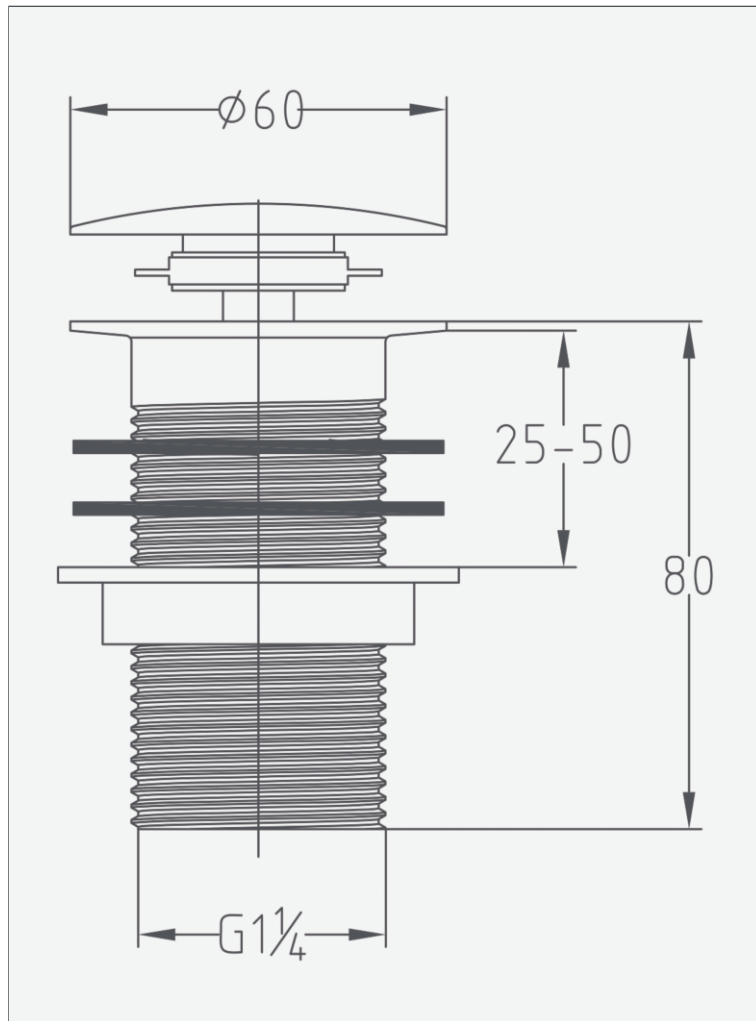


Fuse Black - Basin Waste - Unslotted



Fuse Black - Basin Waste - Unslotted

Code: CW-BL

Technical Details

- 5 year warranty



Units 3 & 4, 16 Crawfordsburn Road,
Newtownards, Co Down,
Northern Ireland. BT23 4EA

Tel: +44 (0) 28 9182 8000
Fax: +44 (0) 28 9181 2888

Sales Enquiries
Email: info@aquallabrassware.com

Technical and Aftersales
Email: support@aquallabrassware.com



www.aquallabrassware.com