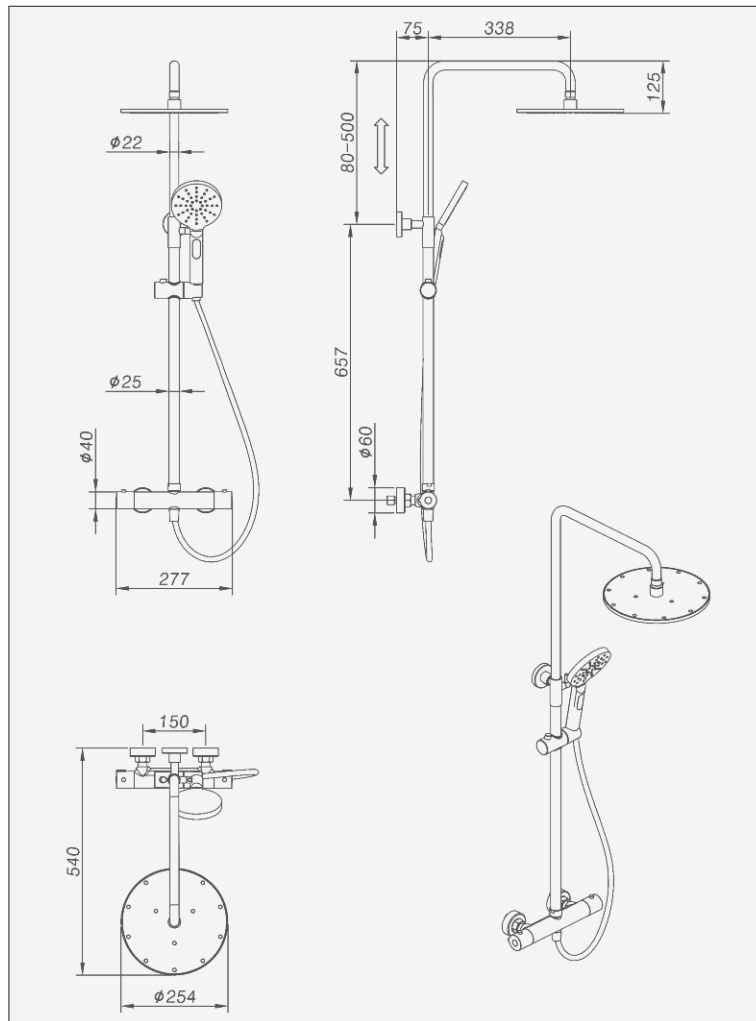


# Fuse Black - Drench Shower



## Fuse Black - Drench Shower

Code: FU-DS-BL

### Features

- 250mm Brass Head
- Push Button Multi-function Handset
- Adjustable Handset Height
- Smooth Hose
- Integrated Diverter
- Supplied with FastFix Kit

### Technical Details

- 5 year warranty



### Shower

Operating Pressure	1 bar	1.5 bar	2 bar	3 bar
Flow Rate (L/min)	10.9	13.3	15.5	19.0

### Handset

Operating Pressure	1 bar	1.5 bar	2 bar	3 bar
Flow Rate (L/min)	10.5	13.0	15.1	18.6

Units 3 & 4, 16 Crawfordsburn Road,  
Newtownards, Co Down,  
Northern Ireland. BT23 4EA

### Sales Enquiries

Email: [info@aquallabrassware.com](mailto:info@aquallabrassware.com)

Tel: +44 (0) 28 9182 8000  
Fax: +44 (0) 28 9181 2888

### Technical and Aftersales

Email: [support@aquallabrassware.com](mailto:support@aquallabrassware.com)



[www.aquallabrassware.com](http://www.aquallabrassware.com)