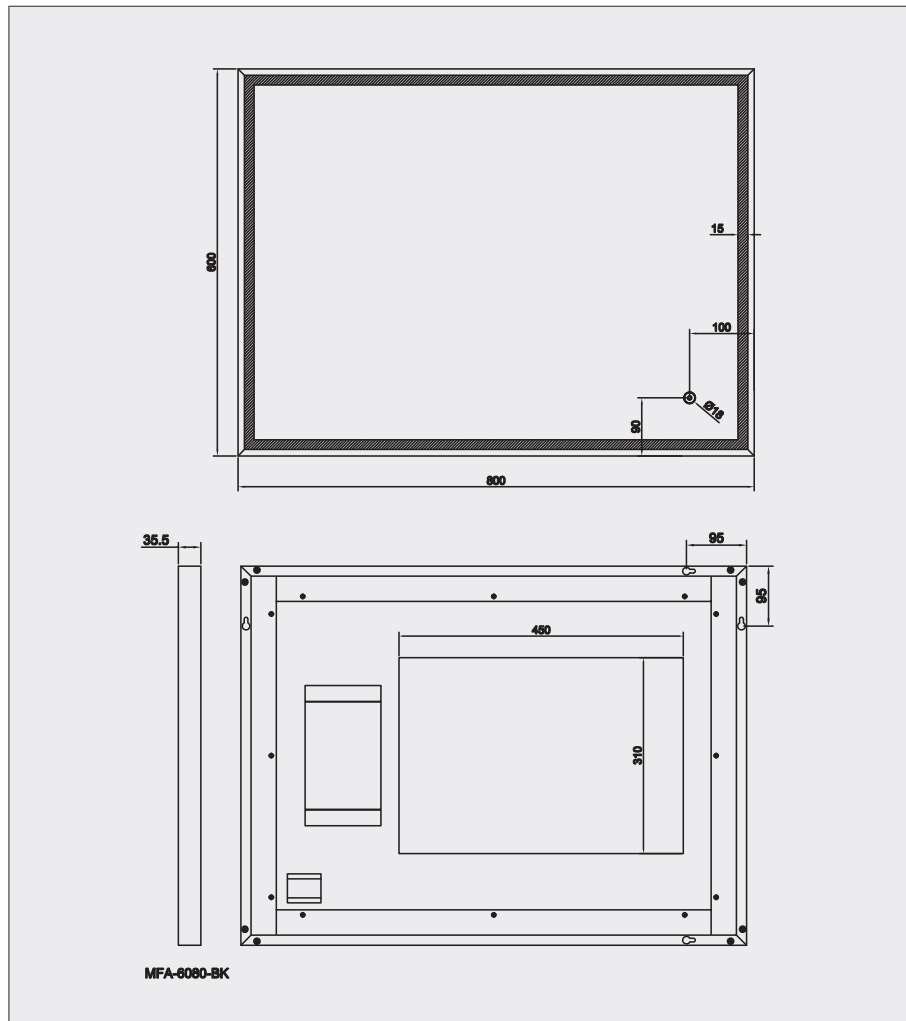


Fuse Frame Black - 800mm x 600mm



Lisbon - 800mm x 600mm

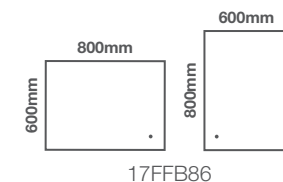
Code: 17FFB86

Features

- Energy efficient LED lighting
- Heated demister pad
- Black aluminium frame
- Touch switch power control



Portrait or Landscape Fitting



Units 3 & 4
16 Crawfordsburn Road
Newtownards
County Down BT23 4EA

Tel: +44 (0) 28 9182 8000
Fax: +44 (0) 28 9181 2888

Sales Enquiries

Email: info@aquallabrassware.com

Technical and Aftersales Support

Email: support@aquallabrassware.com



www.aquallabrassware.com

© 2019 Aqualla. All rights reserved.