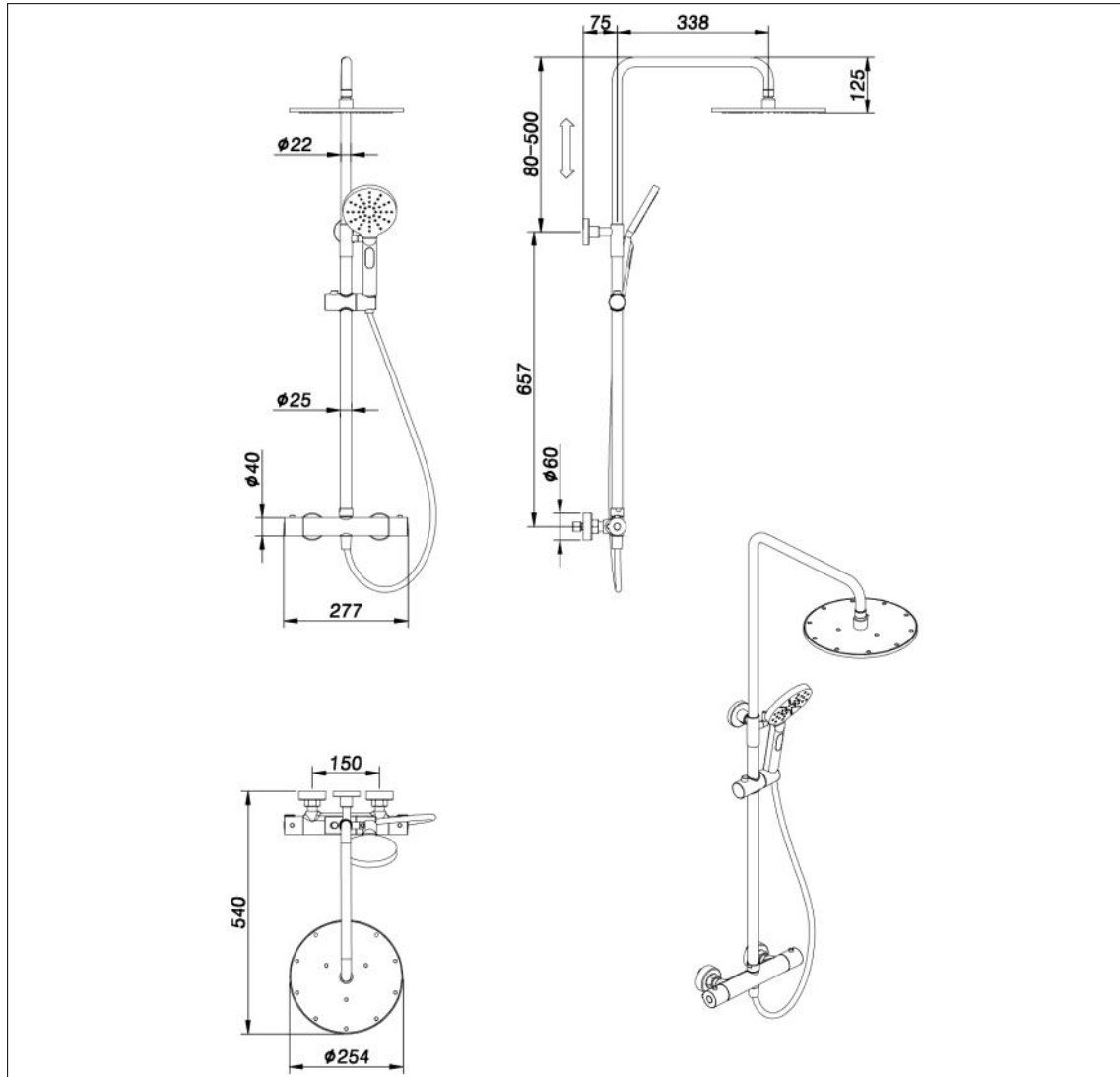


Drench Shower - Brushed Nickel / Matt Black / Chrome /Brushed Brass



Drench Shower - Brushed Nickel / Matt Black / Chrome /Brushed Brass

Code: LU-DS-BN / FU-DS-BL / LU-DSCWU1 / LU-DS-BB

Features

- Brass bodied valve
- Luxury 250mm brass head
- Push button, Multi function, adjustable height handset.
- Integrated diverter
- Supplied with FastFix brackets
- Smooth hose for ease of cleaning
- Adjustable 420mm shower head height even after fitting
- T38 anti-scald technology, 1/2" BSP inlets
- 12 year warranty



Operating Pressure	1 bar	1.5 bar
Flow Rate (L/min)	10.9	13.3

Units 3 & 4, 16 Crawfordsburn Road,
Newtownards, Co Down,
Northern Ireland. BT23 4EA

Sales Enquiries

Email: info@aquallabrassware.com

Tel: +44 (0) 28 9182 8000

Fax: +44 (0) 28 9181 2888

Technical and Aftersales

Email: support@aquallabrassware.com



aquallabrassware.com

© 2019 Aqualla. All rights reserved.