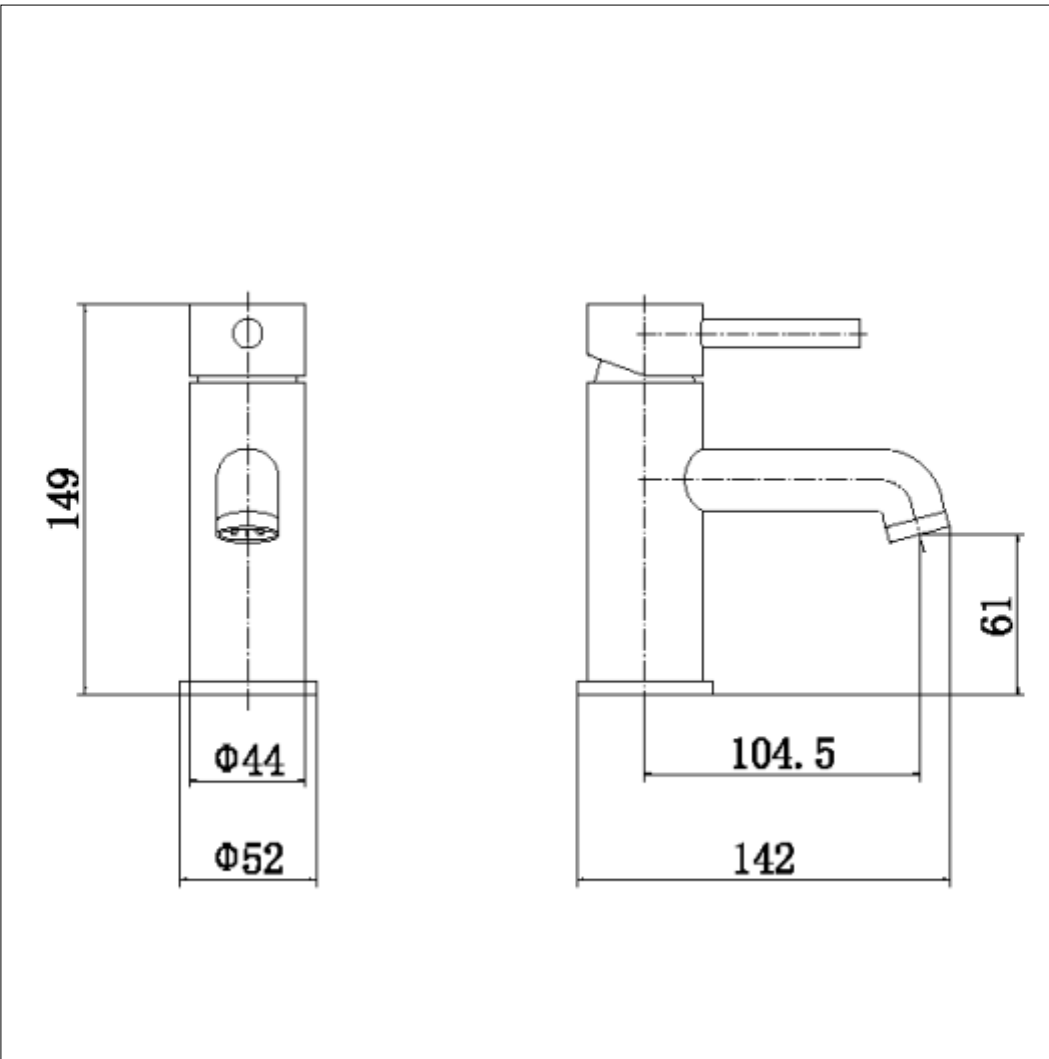


Luca-Basin Mixer



Luca Basin Mixer

Code: LU-BM

Features

- Supplied with domed clicker waste and flexible tail water inlets
- Includes Neostral flow straightener to ensure smooth flow
- Mounting base plate for premium finish
- 12 year warranty (2 year on cartridge)
- Discreet etching for hot and cold
- Hot and cold indicator stud supplied as standard option

Technical Details

- 1 tap hole basin mixer -chrome, 1/2" flexible tail connections
- 12 year guarantee covering manufacturing faults



Operating Pressure	0.2bar	0.5 bar	1 bar	2 bar
Flow Rate (L/min)	3.4	6.1	9.3	13.4

Units 3 & 4, 16 Crawfordsburn Road,
Newtownards, Co Down,
Northern Ireland. BT23 4EA

Sales Enquiries

Email: info@aquallabrassware.com

Tel: +44 (0) 28 9182 8000

Fax: +44 (0) 28 9181 2888

Technical and Aftersales

Email: support@aquallabrassware.com



aquallabrassware.com

© 2019 Aqualla. All rights reserved.