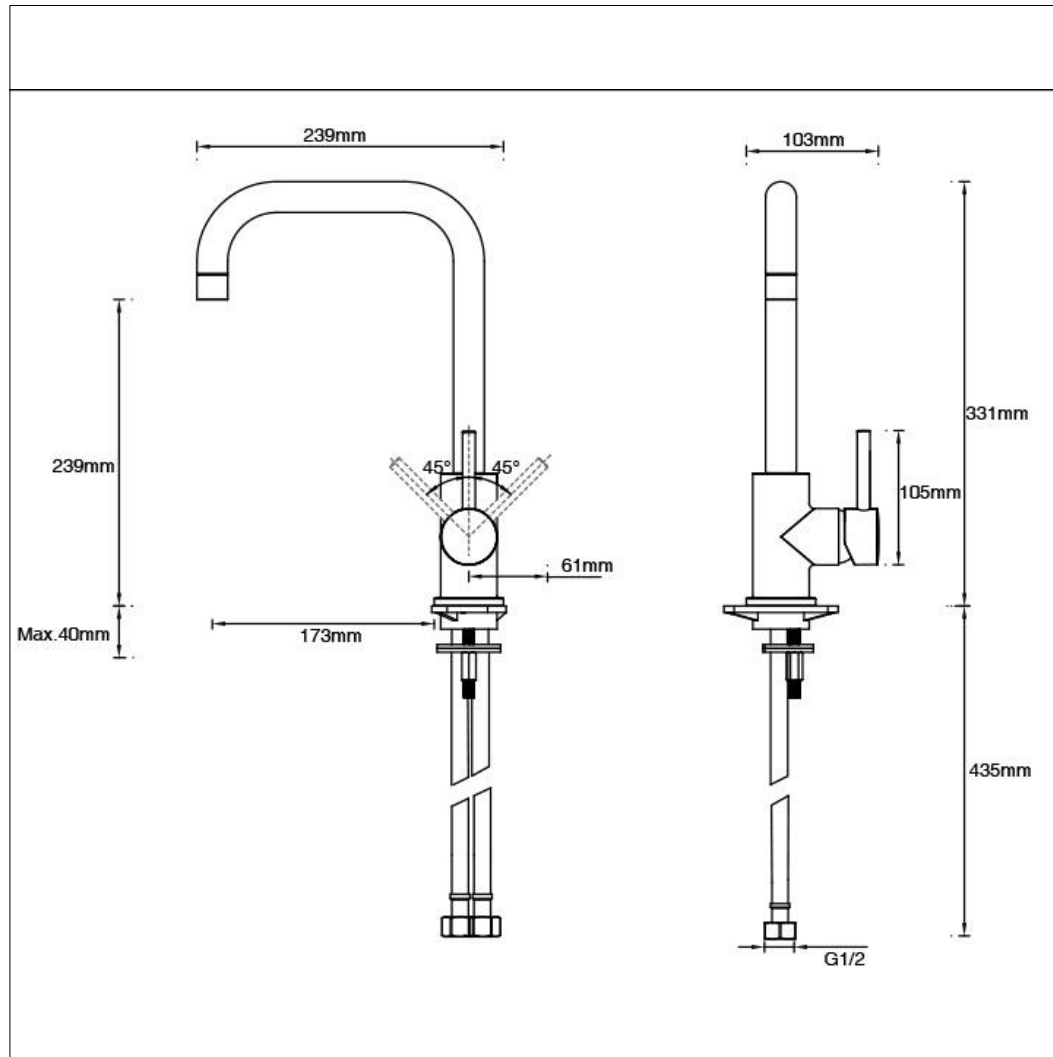


Cove Kitchen Mixer



Cove Kitchen Mixer

Code: **CV-KM-CH** Chrome / **CV-KM-SS** Stainless Steel / **CV-KM-MB** Matt Black
CV-KM-MBG Matt Brushed Gold / **CV-KM-BSS** Black Stainless Steel

Features

- Sleek curved design
- Single lever temperature and waterflow control
- Available in 5 finishes
- 12 year warranty



Operating Pressure	0.3 bar	0.5 bar	1 bar
Flow Rate (l/min)	5.4	7.8	9.9

Units 3 & 4, 16 Crawfordsburn Road,
 Newtownards, Co Down,
 Northern Ireland. BT23 4EA

Sales Enquiries

Email: info@aquallabrassware.com

Tel: +44 (0) 28 9182 8000

Fax: +44 (0) 28 9181 2888

Technical and Aftersales

Email: support@aquallabrassware.com



aquallabrassware.com

© 2020 Aqualla. All rights reserved.