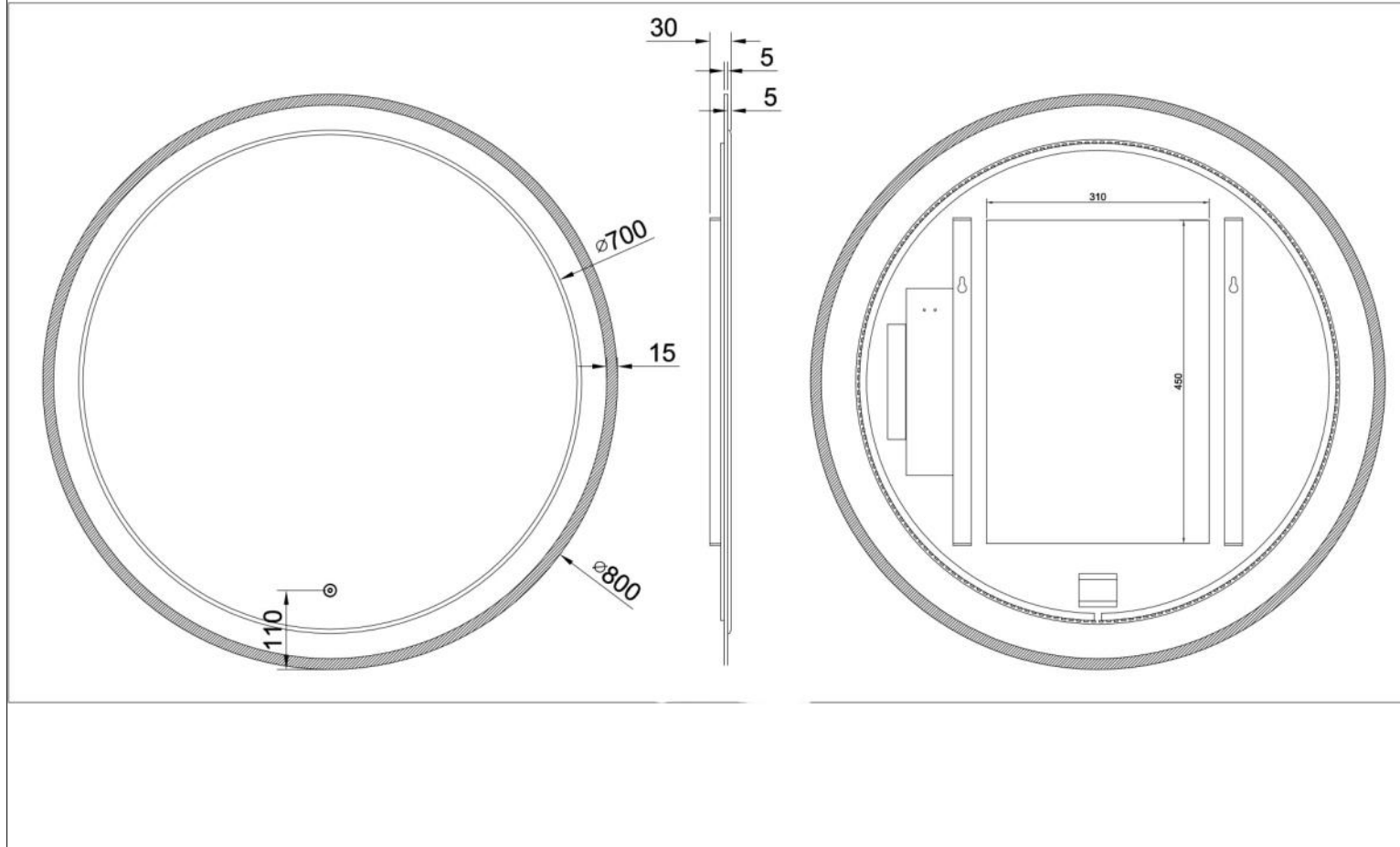


# Saturn Mirror

Saturn Mirror

Code: 18SAT80



## Features

Halo effect LED backlighting

Sandblasted edging

Touch switch power control

Heated demister pad



Units 3 & 4, 16 Crawfordsburn Road,  
Newtownards, Co Down,  
Northern Ireland. BT23 4EA

## Sales Enquiries

Email: [info@aquallabrassware.com](mailto:info@aquallabrassware.com)

Tel: +44 (0) 28 9182 8000

Fax: +44 (0) 28 9181 2888

## Technical and Aftersales

Email: [support@aquallabrassware.com](mailto:support@aquallabrassware.com)



[aquallabrassware.com](http://aquallabrassware.com)

© 2019 Aqualla. All rights reserved.