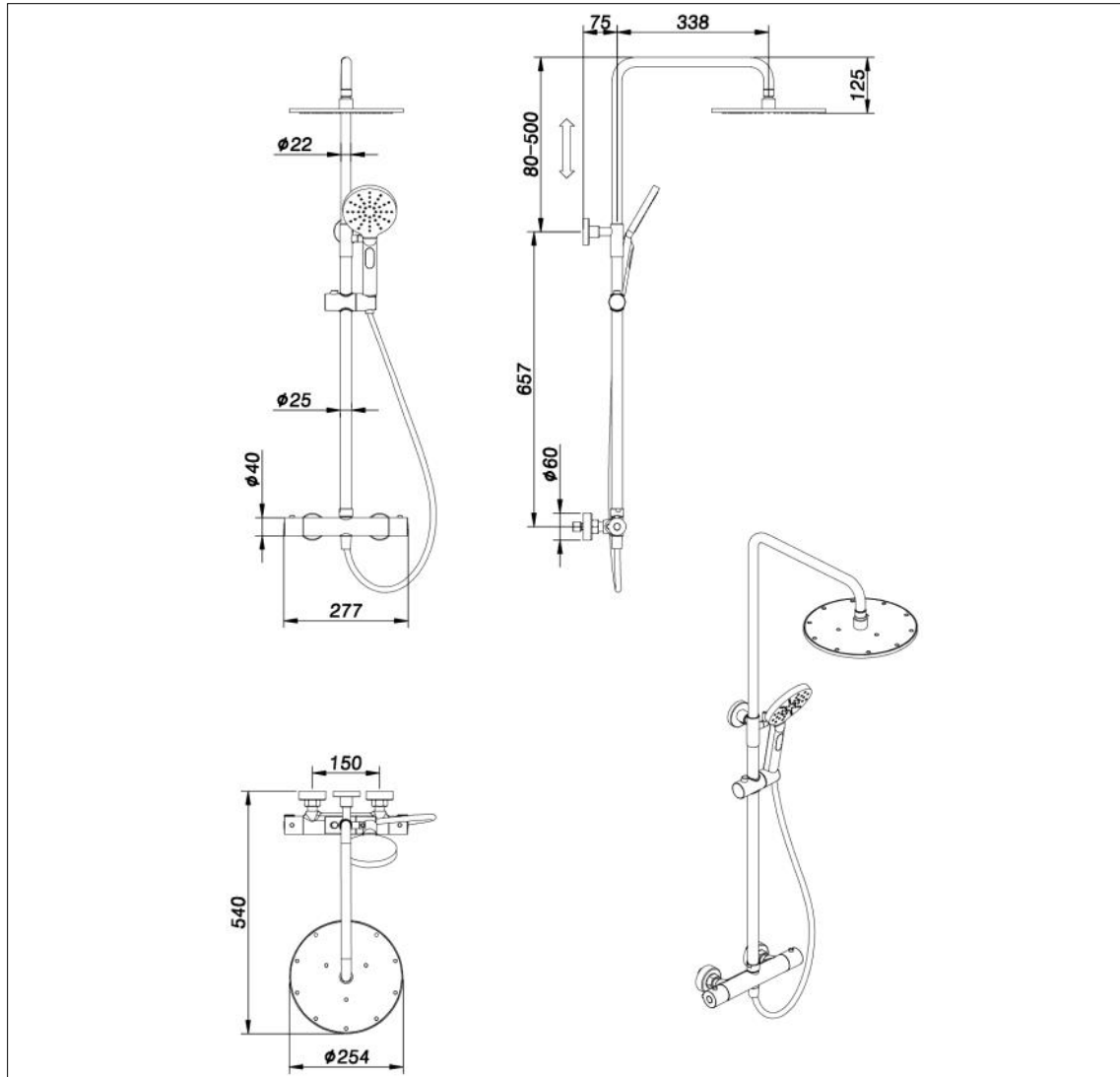


# Drench Shower - Brushed Nickel



## Drench Shower - Brushed Nickel

**Code:** LU-DS-BN

### Features

- Brass bodied valve
- Luxury 250mm brass head
- Push button, Multi function, adjustable height handset.
- Integrated diverter
- Supplied with FastFix brackets
- Ribbed Shower Hose
- Adjustable 420mm shower head height even after fitting
- T38 anti-scald technology, 1/2" BSP inlets
- 12 year warranty



### Shower

Operating Pressure	1 bar	2 bar
Flow Rate (L/min)	10.9	15.5

### Handset

Operating Pressure	1 bar	2 bar
Flow Rate (L/min)	10.5	15.1

Units 3 & 4, 16 Crawfordsburn Road,  
Newtownards, Co Down,  
Northern Ireland. BT23 4EA

### Sales Enquiries

Email: [info@aquallabrassware.com](mailto:info@aquallabrassware.com)

Tel: +44 (0) 28 9182 8000

Fax: +44 (0) 28 9181 2888

### Technical and Aftersales

Email: [support@aquallabrassware.com](mailto:support@aquallabrassware.com)



[aquallabrassware.com](http://aquallabrassware.com)

© 2019 Aqualla. All rights reserved.